

# METAL LEAFLET LAY-IN

---

**LAY-IN BOARD** 02

---

**LAY-IN MICROLOOK** 07

---

**LAY-IN TEGULAR** 14

---

**LAY-IN AXAL VECTOR** 23

---

**Metal**  
product



**LAY-IN BOARD**  
Square & rectangular tiles

Inspiring Great Spaces™

**Armstrong®**

# LAY-IN BOARD

## SQUARE & RECTANGULAR TILES

### BENEFITS

- Diversity of design and application
- Easily assembled and fully demountable
- Cost effective ceiling solution
- Tiles are easily lifted out by hand, allowing full and easy access to the ceiling void.

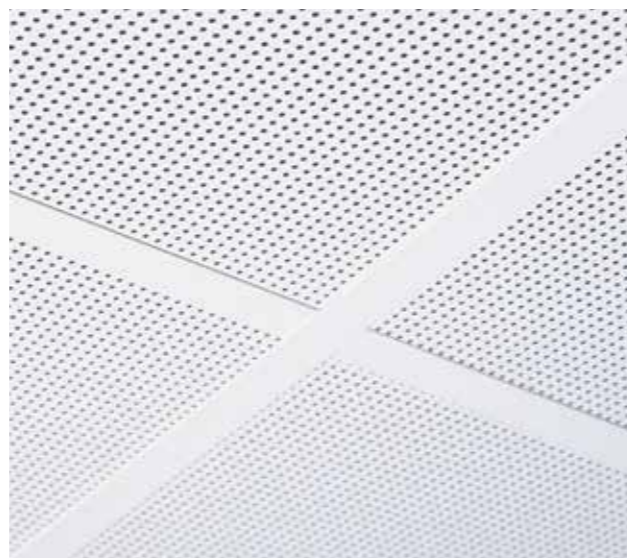
### APPLICATION AREA

- Used in a variety of ceiling areas: from small service rooms to large commercial office buildings and major transportation terminals.

### SPECIFICATION

System	Armstrong ceiling system Board, Lay-In solution with visible grid 24 mm	Perimeter solution	Range of standards trims in steel and aluminium plus custom bulkheads available
Tile material	galvanised steel sheet 0.5 mm (aluminium or other materials on request)	Service integration	standard round or rectangular cut-outs plus customised options on request.
Execution*	square tile square edged with standard notching		
Standard modules	600 x 600 mm 625 x 625 mm 1200 x 600 mm		
Grid system	tested modular system Prelude TLX 24 further suspension methods on request		
Coating	RAL 9010 pure white post-coated powder painted visible surface, other RAL or NCS colours on request		
Gap solution	0 mm gap, without gasket		
Acoustic inlay	Black non-woven acoustic fleece as standard. Other options available on request.		

\* For further information about the edge detail execution of metal tiles, please see the Metal Edge Detail Execution datasheet



### STANDARD PERFORATION PATTERNS

**Ultra Microperforation Rg 0501**  
Hole diameter: 0.5 mm  
Free area: 0.64 %

**Extra Microperforation Rg 0701**  
Hole diameter: 0.7 mm  
Free area: 1.5 %

**Microperforation Rd 1522**  
Hole diameter: 1.5 mm  
Open area: 22%

**Standard Perforation Rg 2516**  
Hole diameter: 2.5 mm  
Open area: 16%

### ACOUSTIC PERFORMANCE

Metal ceiling systems have been tested for their acoustic performance of sound absorption. All perforated products can be supplied with a variety of factory fitted acoustic infill options. Please contact us for more information.

### THERMAL CONDUCTIVITY

(λ) W/mK  
50.0 : Steel  
0.04 : Acoustic fleece

### HUMIDITY EXPOSURE

Up to 95% RH (for short term exposure).

### SERVICES INTEGRATION

Metal panels can be supplied with factory produced cut outs and apertures for the integration of building services equipment.

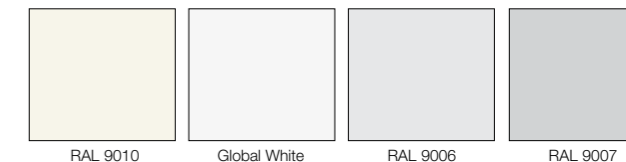
### CLEANING

Dust should be removed from the painted surface by wiping with a clean soft cloth. More stubborn marks should be removed with a mild household detergent in warm water. Excessive use of water should be avoided. The use of abrasive cleaners of the painted surface is not recommended.

### COLOUR

#### Standard colours

RAL 9010	20% gloss
Global White	12% gloss
RAL 9006	30% gloss
RAL 9007	30% gloss



#### Special colours

Other RAL and NCS colours available on request

### QUALITY STANDARD

Armstrong is a certified **EN ISO 9001:2008** Quality Assured Manufacturer. All Armstrong ceiling and grid systems are manufactured to the relevant tolerances and quality standards appropriate to material. Where differences exist between this and any expressed or implied architectural specifications or requirements then Armstrong's manufacturing standards will prevail unless stated otherwise.

### ENVIRONMENTAL

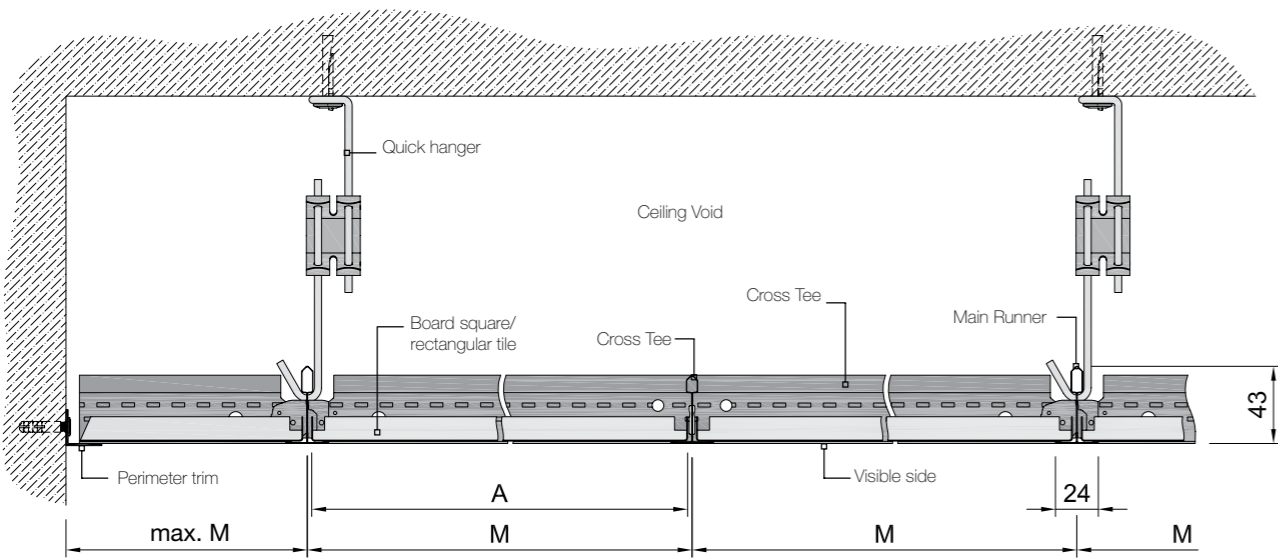
Our metal panels have an average of up to 30% recycling content. Our European manufacturing plants are certified to: **ISO 14001:2004 + Cor. 1:2009**  
Armstrong is a member of TAIM (Technical Association of Industrial Metal Ceilings).

Sustainability		Acoustics					Safe & Healthy				
Recycled content (%)	Light reflectance (%)	α <sub>w</sub> up to	Sound absorption class	NRC up to	Dncw / Dnfw (dB) up to	Rw (dB) up to	Fire reaction	Humidity Resistance (%) up to	Cleanability	Bioguard paint option	Scratch resistance
ISO 14021											

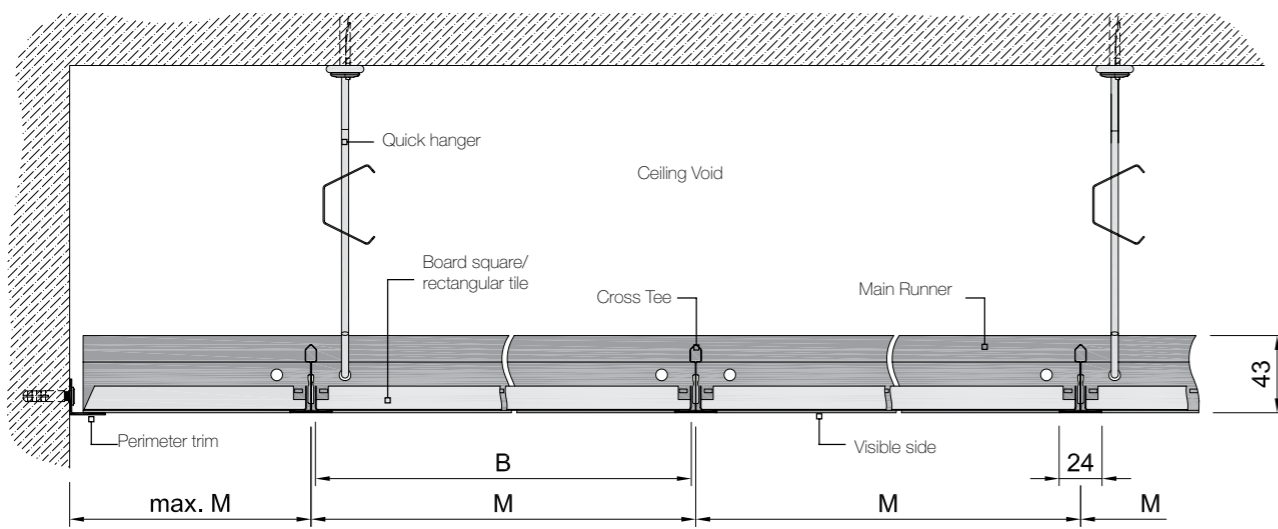
Ultra Microperforation Rg 0501 (1)	up to 30	83	0.45(L)	D	0.55	18	8	A1	95	scrubbable	✓	✓
Extra Microperforation Rg 0701 (2)	up to 30	80	0.55(L)	D	0.65	21	10	A2-s2, d0	95	wipeable moist cloth (3)	✓	✓
Microperforation Rd 1522 (2)	up to 30	65	0.70	C	0.70	16	6	A2-s2, d0	95	wipeable moist cloth (3)		✓
Standardperforated Rg 2516 (2)	up to 30	70	0.75(L)	C	0.80	18	8	A2-s2, d0	95	wipeable moist cloth (3)		✓
Plain / Unperforated (1)	up to 30	85	0.10(L)	Not Classified	0.10	44	19	A1	95	scrubbable	✓	✓
Premium B15	up to 30	depends on perforation	0.65	C	0.60	47	21	A2-s1, d0	95	wipeable moist cloth		✓
Premium OP19	up to 30	depends on perforation	1.00	A	0.90	31	15	A2-s2, d0	95	wipeable moist cloth		✓

(1) RAL 9010 colour, without acoustic inlay. (2) RAL 9010 colour, with black acoustic fleece glued on rear. (3) Wipeable moist cloth for perforated tiles with fleece. Scrubbable for plain tiles or perforated tiles without fleece.

**CROSS-SECTION BOARD**

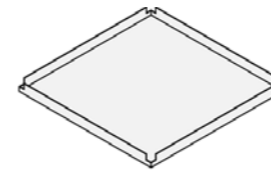


**LONGITUDINAL-SECTION BOARD**

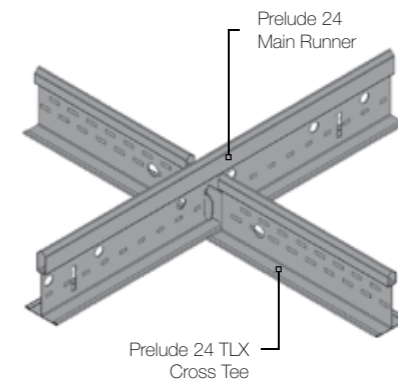


M = module size / A = panel length / B = panel width

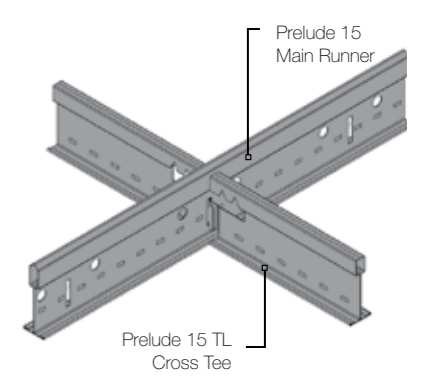
**Detail A** Board square tile



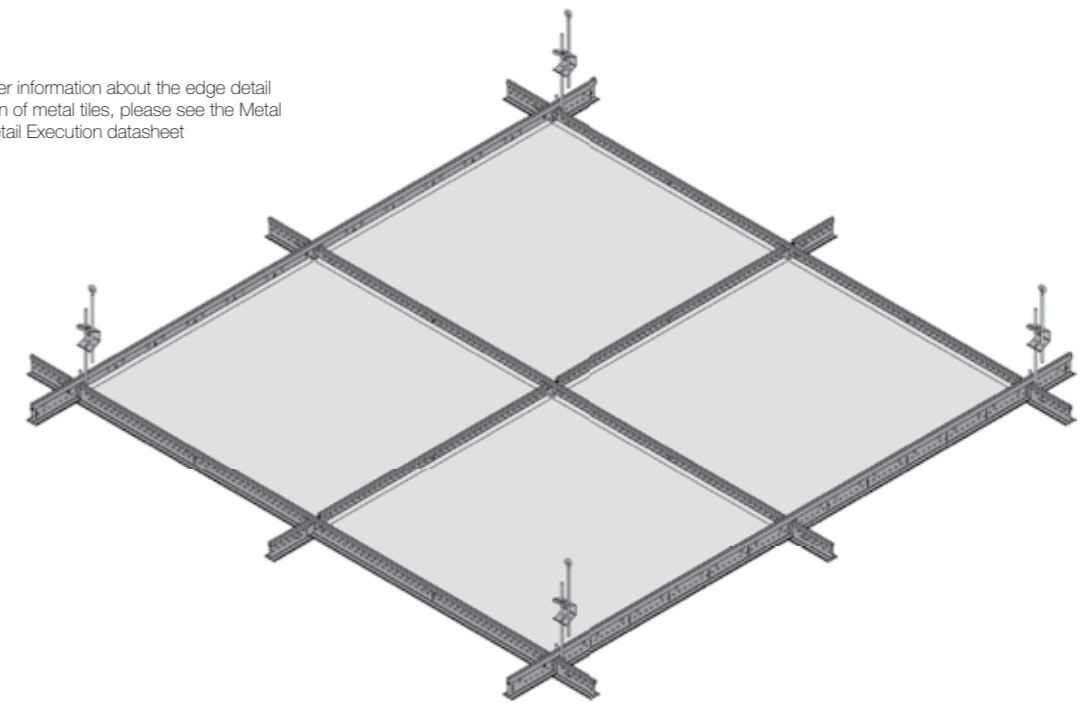
**Detail B** Prelude 24 TLX grid option



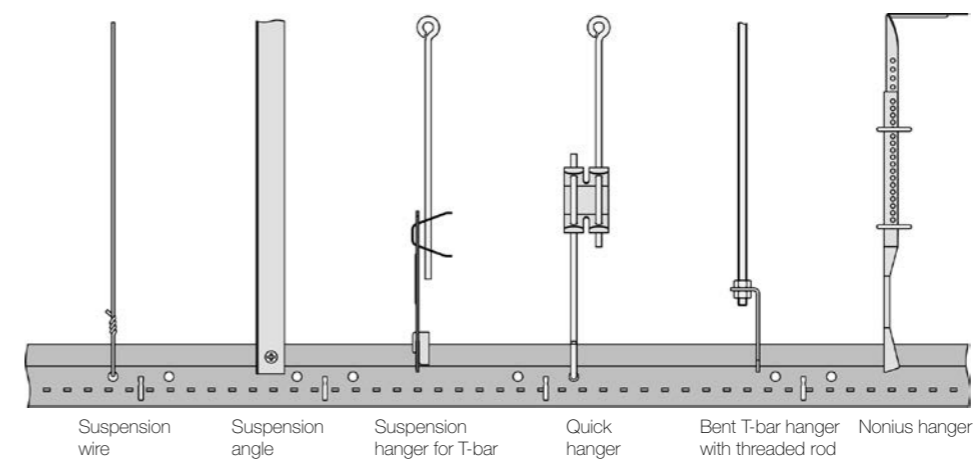
**Detail C** Prelude 15 TL grid option



For further information about the edge detail execution of metal tiles, please see the Metal Edge Detail Execution datasheet



**Detail D** suspension methods



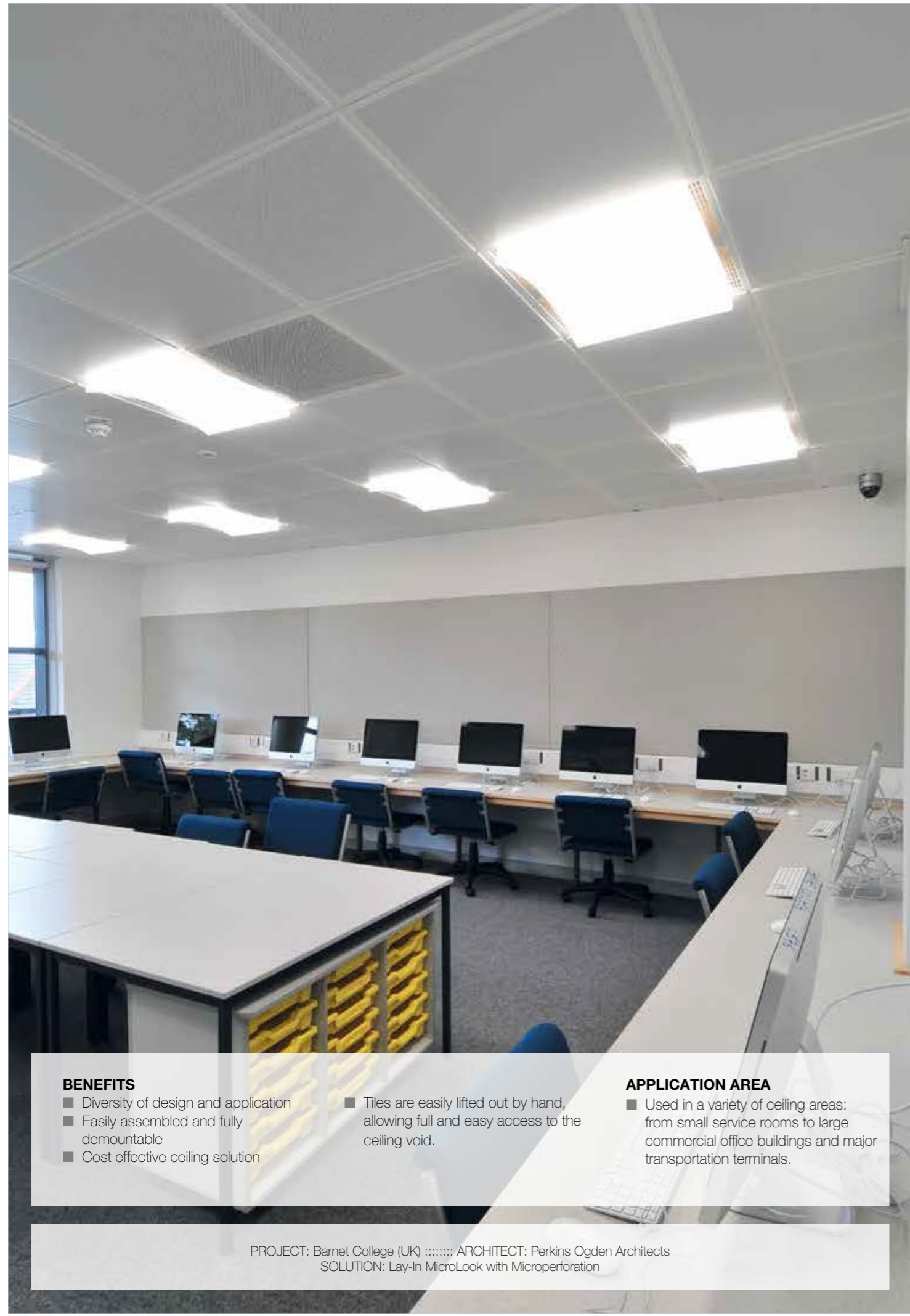
**Metal**  
product



**LAY-IN MICROLOOK**  
Square & rectangular tiles

Inspiring Great Spaces™

**Armstrong®**



# LAY-IN MICROLOOK SQUARE & RECTANGULAR TILES

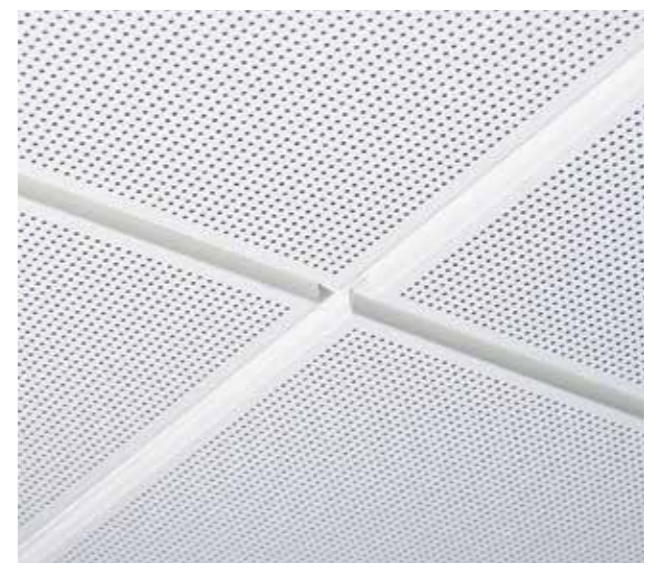
## SPECIFICATION

System	Armstrong ceiling system MicroLook 8 & 16 Lay-In solution with visible grid 15 mm	
Panels Material	galvanised steel sheet 0.5 mm (0.6 mm for module 750 x 750 mm) (aluminium or further materials on request)	
Execution*	square tile square edged with 8 mm or 16 mm drop and standard notching	
Standard modules		
MicroLook 8:	500 x 500 mm 675 x 675 mm 300 x 1200 mm	600 x 600 mm 750 x 750 mm 600 x 1200 mm
MicroLook 16:	500 x 500 mm 675 x 675 mm	600 x 600 mm 750 x 750 mm
Grid system	tested modular system Prelude TL 15 / XL <sup>2</sup> 15, 15. Optional design grid Silhouette or Interlude. Further suspension methods on request	
Coating	RAL 9010 pure white post-coated powder painted visible surface, other RAL or NCS colours on request	
Acoustic inlay	Black non-woven acoustic fleece as standard. Other options available on request.	
Perimeter solution	Range of standards trims in steel and aluminium plus custom bulkheads available	
Service integration	standard round or rectangular cut-outs plus customized options on request.	

\* For further information about the edge detail execution of metal tiles, please see the Metal Edge Detail Execution datasheet



MicroLook 8



MicroLook 16

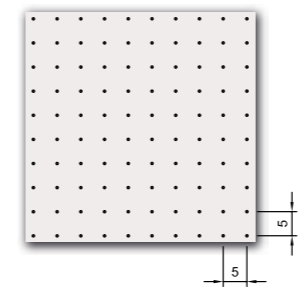
### BENEFITS

- Diversity of design and application
- Easily assembled and fully demountable
- Cost effective ceiling solution

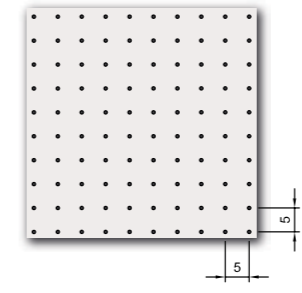
### APPLICATION AREA

- Tiles are easily lifted out by hand, allowing full and easy access to the ceiling void.
- Used in a variety of ceiling areas: from small service rooms to large commercial office buildings and major transportation terminals.

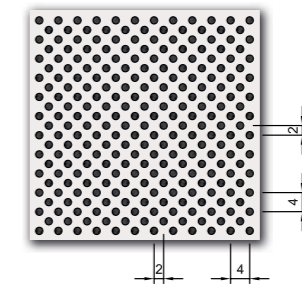
## STANDARD PERFORATION PATTERNS



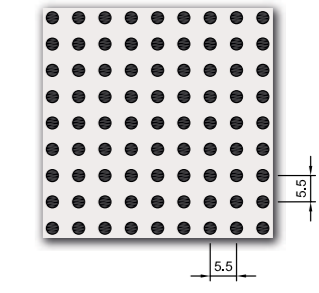
**Ultra Microperforation Rg 0501**  
Hole diameter: 0.5 mm  
Free area: 0.64 %



**Extra Microperforation Rg 0701**  
Hole diameter: 0.7 mm  
Free area: 1.5 %



**Microperforation Rd 1522**  
Hole diameter: 1.5 mm  
Open area: 22%



**Standard Perforation Rg 2516**  
Hole diameter: 2.5 mm  
Open area: 16%

PROJECT: Barnet College (UK) ARCHITECT: Perkins Ogden Architects  
SOLUTION: Lay-In MicroLook with Microperforation

**ACOUSTIC PERFORMANCE**

Metal ceiling systems have been tested for their acoustic performance of sound absorption. All perforated products can be supplied with a variety of factory fitted acoustic infill options. Please contact us for more information.

**THERMAL CONDUCTIVITY**

(λ) W/mK  
50.0 : Steel  
0.04 : Acoustic fleece

**HUMIDITY EXPOSURE**

Up to 95% RH (for short term exposure).

**SERVICES INTEGRATION**

Metal panels can be supplied with factory produced cut outs and apertures for the integration of building services equipment.

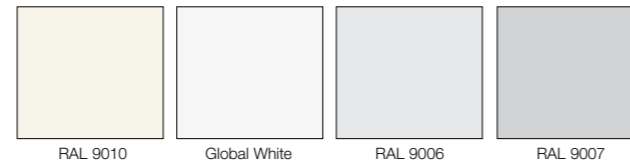
**CLEANING**

Dust should be removed from the painted surface by wiping with a clean soft cloth. More stubborn marks should be removed with a mild household detergent in warm water. Excessive use of water should be avoided. The use of abrasive cleaners of the painted surface is not recommended.

**COLOUR**

**Standard colours**

RAL 9010 20% gloss  
Global White 12% gloss  
RAL 9006 30% gloss  
RAL 9007 30% gloss



**Special colours**

Other RAL and NCS colours available on request

**QUALITY STANDARD**

Armstrong is a certified **EN ISO 9001:2008** Quality Assumed Manufacturer. All Armstrong ceiling and grid systems are manufactured to the relevant tolerances and quality standards appropriate to material. Where differences exist between this and any expressed or implied architectural specifications or requirements then Armstrong's manufacturing standards will prevail unless stated otherwise.

**ENVIRONMENTAL**

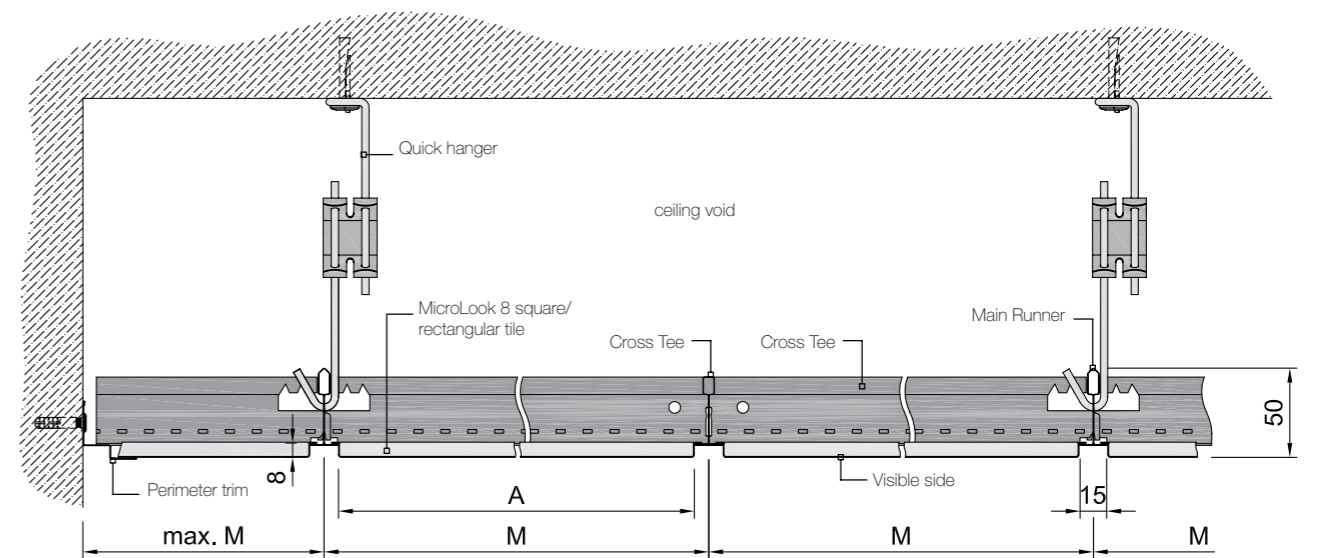
Our metal panels have an average of up to 30% recycling content. Our European manufacturing plants are certified to: **ISO 14001:2004 + Cor. 1:2009**  
Armstrong is a member of TAIM (Technical Association of Industrial Metal Ceilings).

Sustainability		Acoustics						Safe & Healthy				
Recycled content (%)	Light reflectance (%)	α <sub>w</sub> up to	Sound absorption class	NRC up to	Dncw / Dnfw (dB) up to	Rw (dB) up to	Fire reaction	Humidity Resistance (%) up to	Cleanability	Bioguard paint option	Scratch resistance	

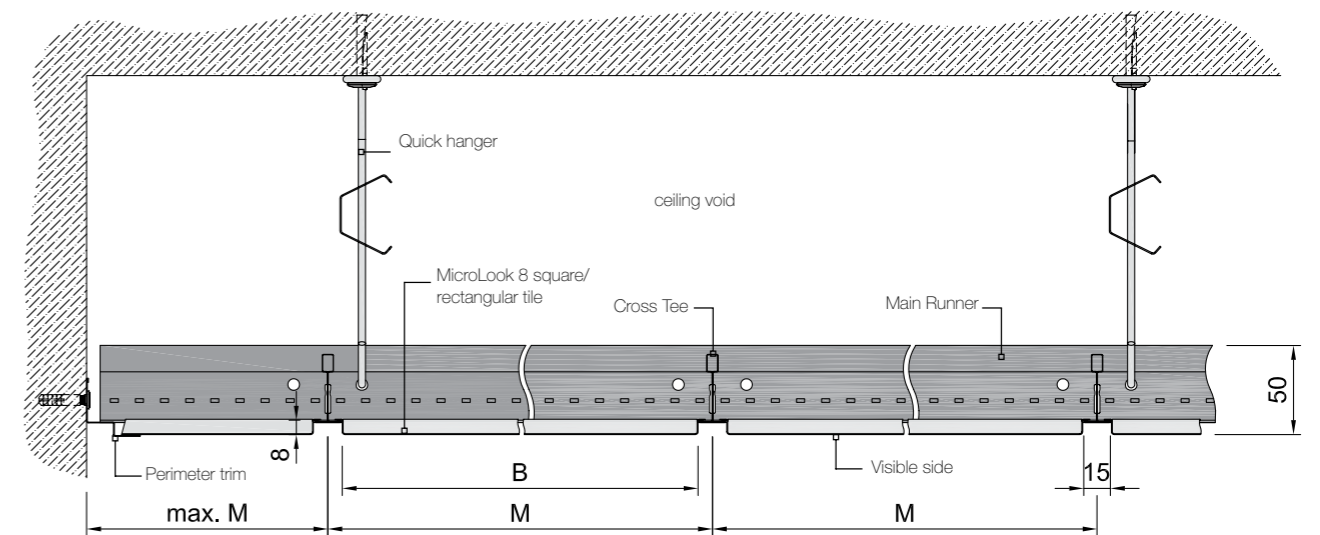
Ultra Microperforation Rg 0501 (1)	up to 30	83	0.45(L)	D	0.55	18	8	A1	95	scrubbable	✓	✓
Extra Microperforation Rg 0701 (2)	up to 30	80	0.55(L)	D	0.65	21	10	A2-s2, d0	95	wipeable moist cloth (3)	✓	✓
Microperforation Rd 1522 (2)	up to 30	65	0.70	C	0.70	16	6	A2-s2, d0	95	wipeable moist cloth (3)		✓
Standardperforated Rg 2516 (2)	up to 30	70	0.75(L)	C	0.80	18	8	A2-s2, d0	95	wipeable moist cloth (3)		✓
Plain / Unperforated (1)	up to 30	85	0.10(L)	Not Classified	0.10	44	19	A1	95	scrubbable	✓	✓
Premium B15	up to 30	depends on perforation	0.65	C	0.60	47	21	A2-s1, d0	95	wipeable moist cloth		✓
Premium OP19	up to 30	depends on perforation	1.00	A	0.90	31	15	A2-s2, d0	95	wipeable moist cloth		✓

(1) RAL 9010 colour, without acoustic inlay. (2) RAL 9010 colour, with black acoustic fleece glued on rear. (3) Wipeable moist cloth for perforated tiles with fleece. Scrubbable for plain tiles or perforated tiles without fleece.

**CROSS-SECTION MICROLOOK 8**

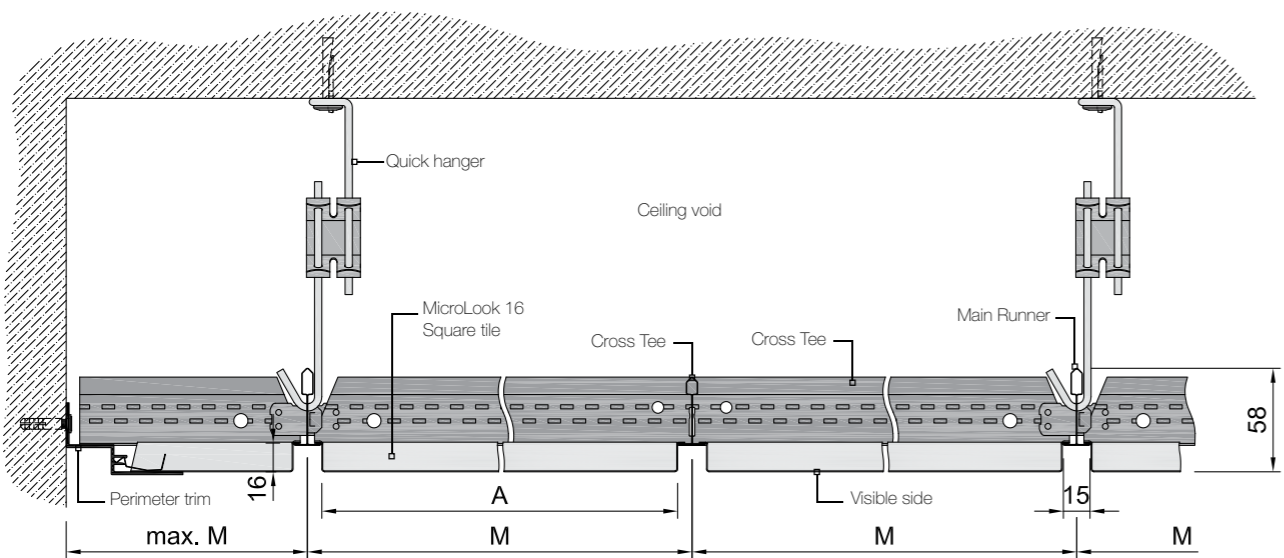


**LONGITUDINAL-SECTION MICROLOOK 8**

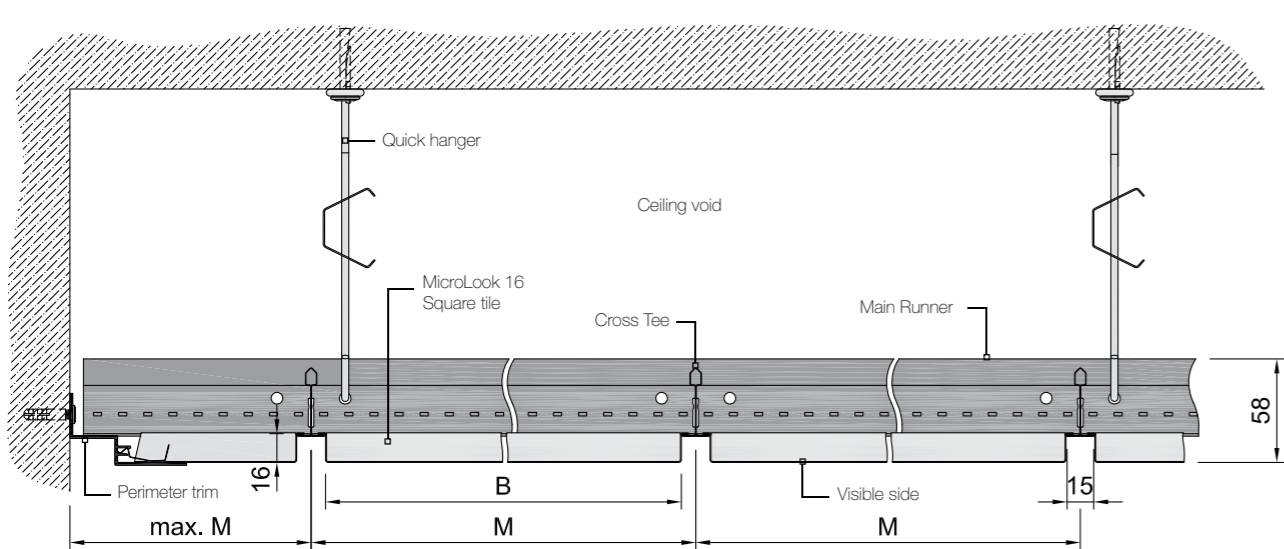


M = module size / A = panel length / B = panel width

**CROSS-SECTION MICROLOOK 16**

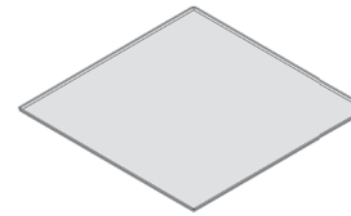


**LONGITUDINAL-SECTION MICROLOOK 16**

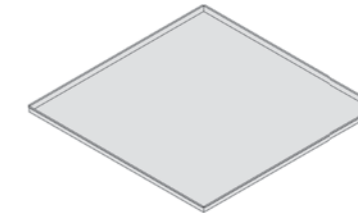


M = module size / A = panel length / B = panel width

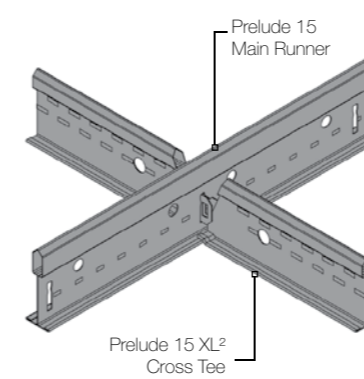
**Detail A** MicroLook 8 square tile option



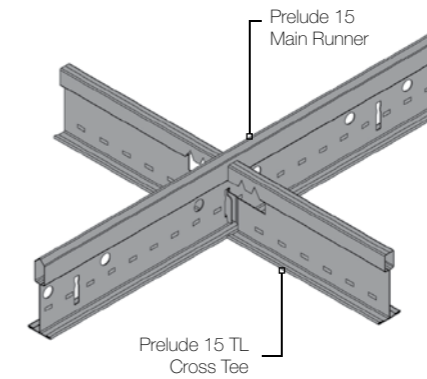
**Detail B** MicroLook 16 square tile



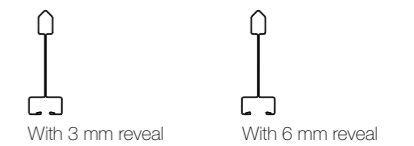
**Detail C** grid system



**Detail D** grid system



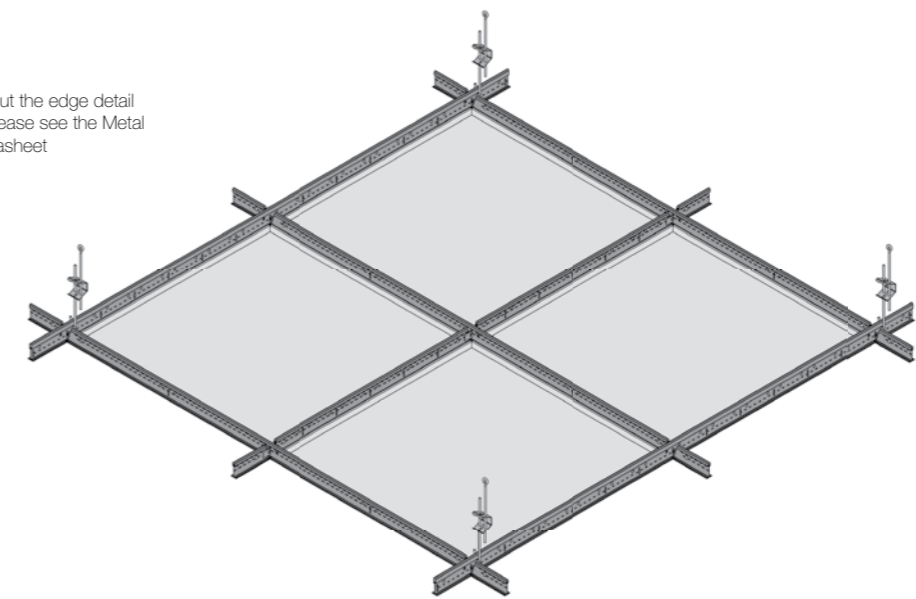
**Detail E** Design grid Silhouette 15 XL<sup>2</sup>



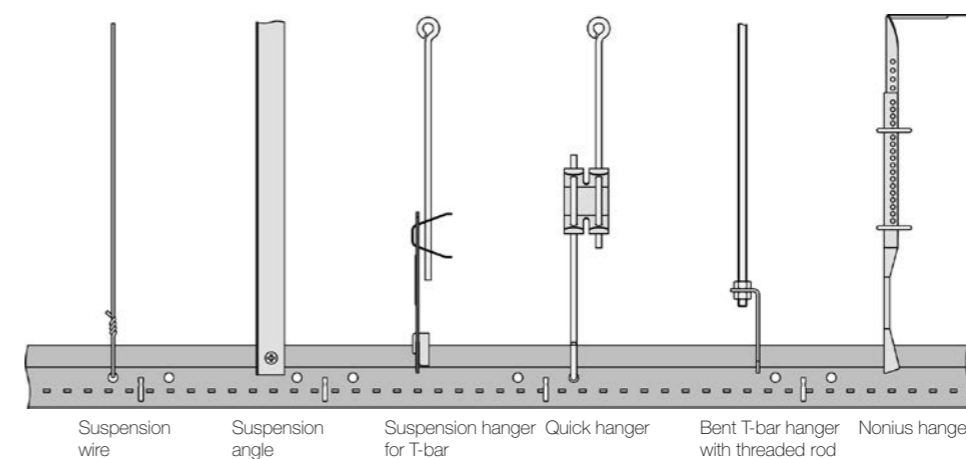
**Detail F** Design grid Interlude 15 XL<sup>2</sup>



For further information about the edge detail execution of metal tiles, please see the Metal Edge Detail Execution datasheet



**Detail G** suspension methods



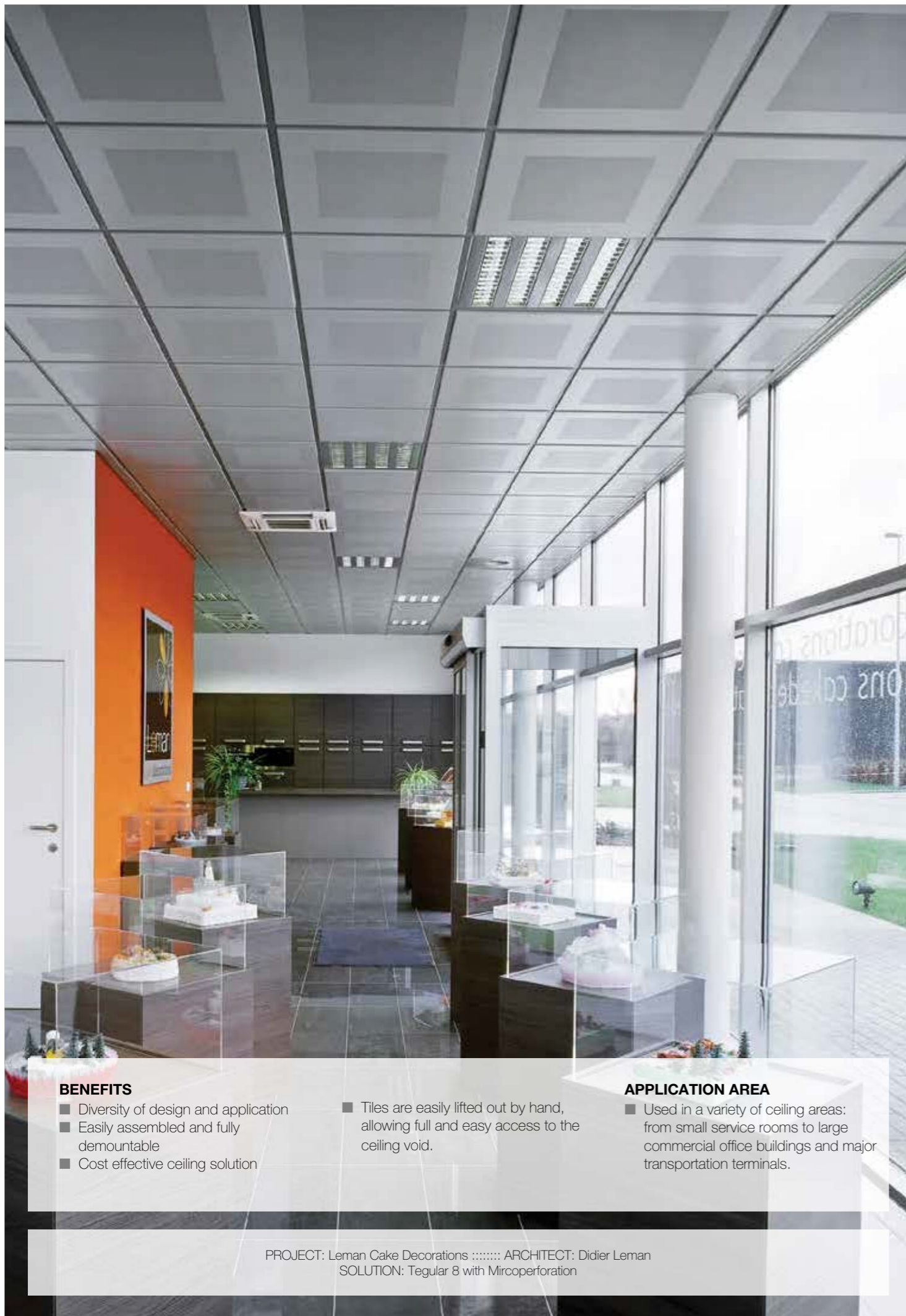
**Metal**  
product

**LAY-IN TEGULAR**  
Square & rectangular tiles

Inspiring Great Spaces™

**Armstrong®**

# LAY-IN TEGULAR SQUARE & RECTANGULAR TILES



### BENEFITS

- Diversity of design and application
- Easily assembled and fully demountable
- Cost effective ceiling solution

### APPLICATION AREA

- Tiles are easily lifted out by hand, allowing full and easy access to the ceiling void.
- Used in a variety of ceiling areas: from small service rooms to large commercial office buildings and major transportation terminals.

PROJECT: Leman Cake Decorations : : : : : ARCHITECT: Didier Leman  
SOLUTION: Tegular 8 with Microperforation

### SPECIFICATION

System	Armstrong ceiling system Tegular 2, 8, 11F and 16 Lay-In solution with visible grid 24 mm	Standard modules	TEGULAR 2:	600 x 600 mm 625 x 625 mm
Tile material	galvanised steel sheet 0.5 mm (0.6 mm for module 750 x 750 mm) aluminium or further materials on request		TEGULAR 8:	500 x 500 mm 600 x 600 mm 675 x 675 mm 300 x 1200 mm 600 x 1200 mm
Coating	RAL 9010 pure white post-coated powder painted visible surface, other RAL or NCS colours on request		TEGULAR 11F:	600 x 600 mm 625 x 625 mm 600 x 1200 mm
Tile details	TEGULAR 2: square tile square edged with 2.5 mm drop and standard notching TEGULAR 8: square tile square edged with 8 mm drop and standard notching		TEGULAR 16:	500 x 500 mm 600 x 600 mm 675 x 675 mm 750 x 750 mm
Acoustic inlay	Black non-woven acoustic fleece as standard. Other options available on request.	Grid system	Prelude 24 TLX and XL <sup>2</sup> (NB: only TLX for Tegular 2) further suspension systems on request	
		Perimeter solution	Range of standards trims in steel and aluminium plus custom bulkheads available	
		Service integration	standard round or rectangular cut-outs plus customised options on request	



Tegular 2



Tegular 8

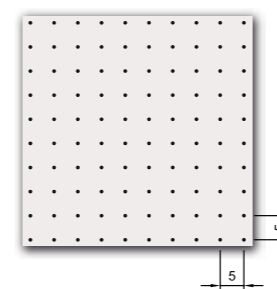


Tegular 11F

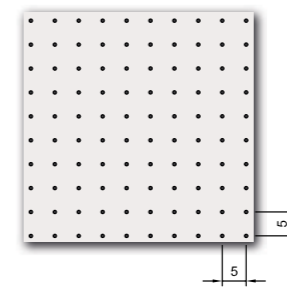


Tegular 16

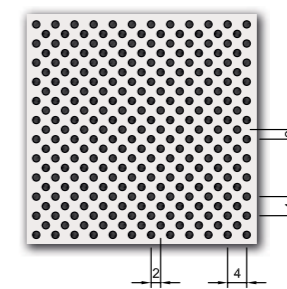
### STANDARD PERFORATION PATTERNS



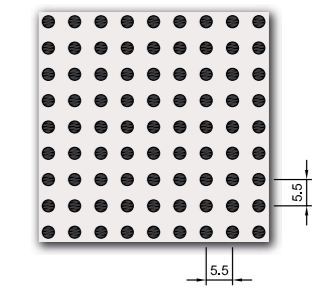
**Ultra Microperforation\*  
Rg 0501**  
Hole diameter: 0.5 mm  
Free area: 0.64 %



**Extra Microperforation  
Rg 0701**  
Hole diameter: 0.7 mm  
Free area: 1.5 %



**Microperforation  
Rd 1522**  
Hole diameter: 1.5 mm  
Open area: 22%



**Standard Perforation  
Rg 2516**  
Hole diameter: 2.5 mm  
Open area: 16%

\*only available for Tegular 2 and Tegular 11F

**ACOUSTIC PERFORMANCE**

Metal ceiling systems have been tested for their acoustic performance of sound absorption. All perforated products can be supplied with a variety of factory fitted acoustic infill options. Please contact us for more information.

**THERMAL CONDUCTIVITY**

(λ) W/mK  
50.0: Steel  
0.04: Acoustic fleece

**HUMIDITY EXPOSURE**

Up to 95% RH (for short term exposure).

**SERVICES INTEGRATION**

Metal panels can be supplied with factory produced cut outs and apertures for the integration of building services equipment.

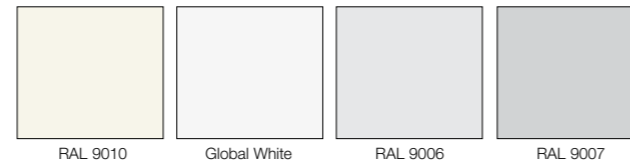
**CLEANING**

Dust should be removed from the painted surface by wiping with a clean soft cloth. More stubborn marks should be removed with a mild household detergent in warm water. Excessive use of water should be avoided. The use of abrasive cleaners of the painted surface is not recommended.

**COLOURS**

**Standard colour**

- RAL 9010 20% gloss
- Global White 12% gloss
- RAL 9006 30% gloss
- RAL 9007 30% gloss



**Special colours**

Other RAL and NCS colours available on request

**QUALITY STANDARD**

Armstrong is a certified **EN ISO 9001:2008** Quality Assumed Manufacturer. All Armstrong ceiling and grid systems are manufactured to the relevant tolerances and quality standards appropriate to material. Where differences exist between this and any expressed or implied architectural specifications or requirements then Armstrong's manufacturing standards will prevail unless stated otherwise.

**ENVIRONMENTAL**

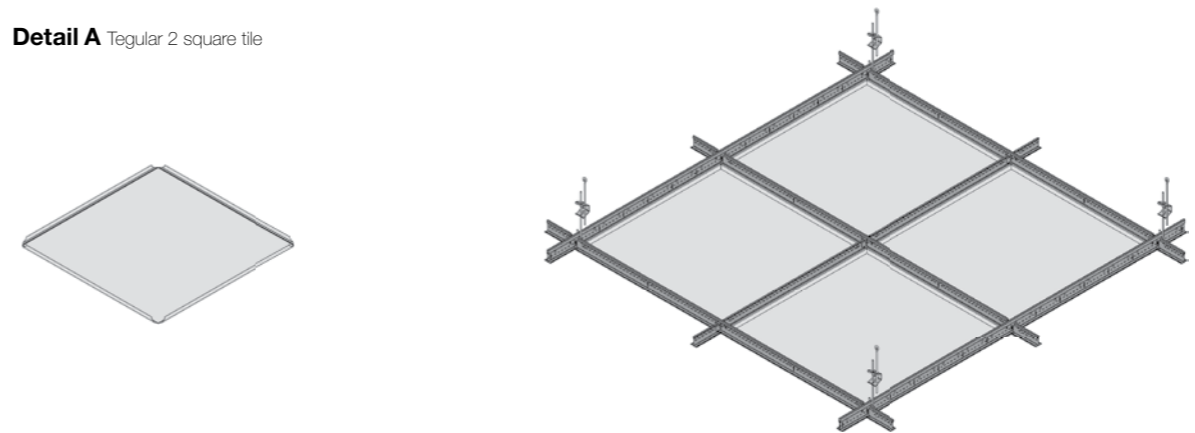
Our metal panels have an average of up to 30% recycling content. Our European manufacturing plants are certified to: **ISO 14001:2004 + Cor. 1:2009**  
Armstrong is a member of TAIM (Technical Association of Industrial Metal Ceilings).

	Sustainability		Acoustics					Safe & Healthy				
	Recycled content (%)	Light reflectance (%)	α <sub>w</sub> up to	Sound absorption class	NRC up to	Dncw / Dnfw (dB) up to	Rw (dB) up to	Fire reaction	Humidity Resistance (%) up to	Cleanability	Bioguard paint option	Scratch resistance
Ultra Microperforation Rg 0501 (1)	up to 30	83	0.45(L)	D	0.55	18	8	A1	95	scrubbable	✓	✓
Extra Microperforation Rg 0701 (2)	up to 30	80	0.55(L)	D	0.65	21	10	A2-s2, d0	95	wipeable moist cloth (3)	✓	✓
Microperforation Rd 1522 (2)	up to 30	65	0.70	C	0.70	16	6	A2-s2, d0	95	wipeable moist cloth (3)		✓
Standard Perforation Rg 2516 (2)	up to 30	70	0.75(L)	C	0.80	18	8	A2-s2, d0	95	wipeable moist cloth (3)		✓
Plain / Unperforated (1)	up to 30	85	0.10(L)	Not Classified	0.10	44	19	A1	95	scrubbable	✓	✓
Premium B15*	up to 30	depends on perforation	0.65	C	0.60	47	21	A2-s1, d0	95	wipeable moist cloth		✓
Premium OP19*	up to 30	depends on perforation	1.00	A	0.90	31	15	A2-s2, d0	95	wipeable moist cloth		✓

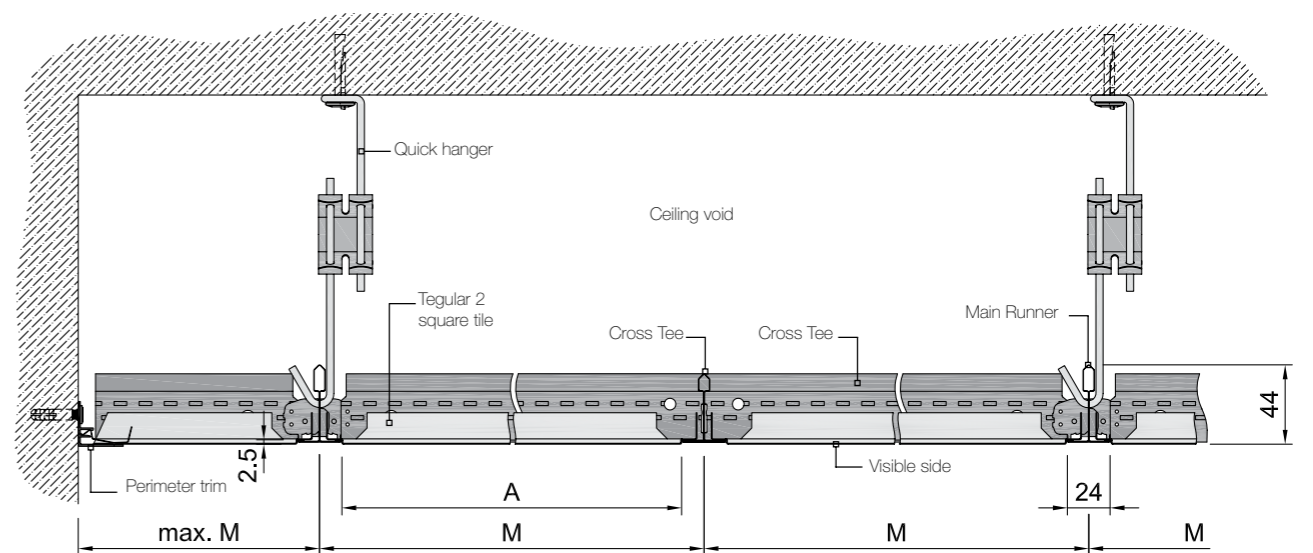
(1) RAL 9010 colour, without acoustic inlay. (2) RAL 9010 colour, with black acoustic fleece glued on rear. (3) Wipeable moist cloth for perforated tiles with fleece. Scrubbable for plain tiles or perforated tiles without fleece.  
\*Premium B15 and OP19 only available for Tegular 8 and Tegular 16, also some sizes of Tegular 2.

**TEGULAR 2**

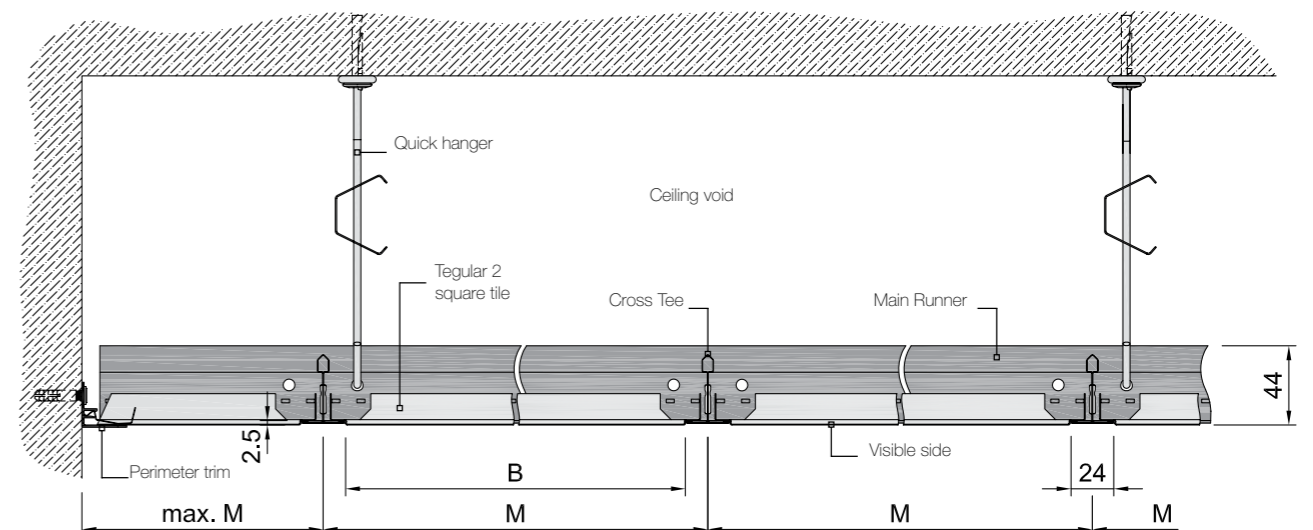
**Detail A** Tegular 2 square tile



**CROSS-SECTION TEGULAR 2**



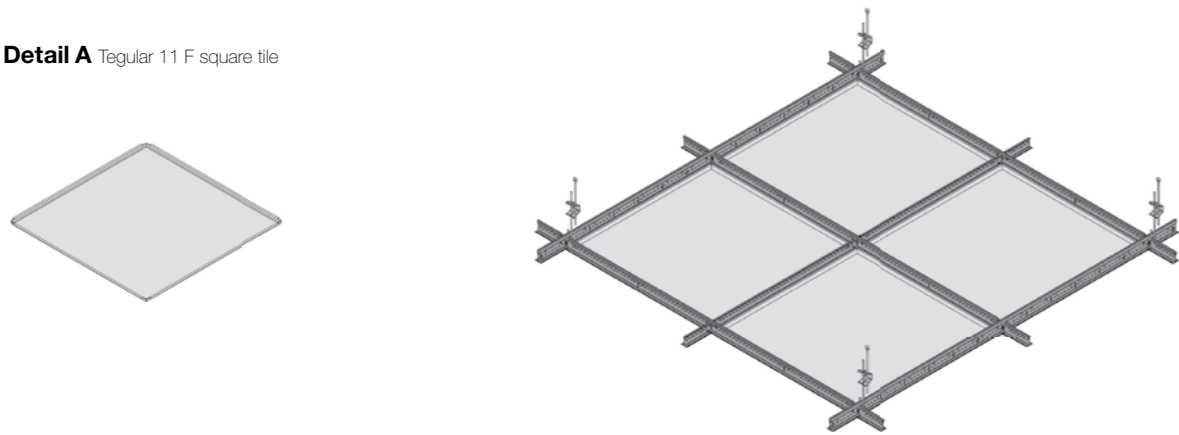
**LONGITUDINAL-SECTION TEGULAR 2**



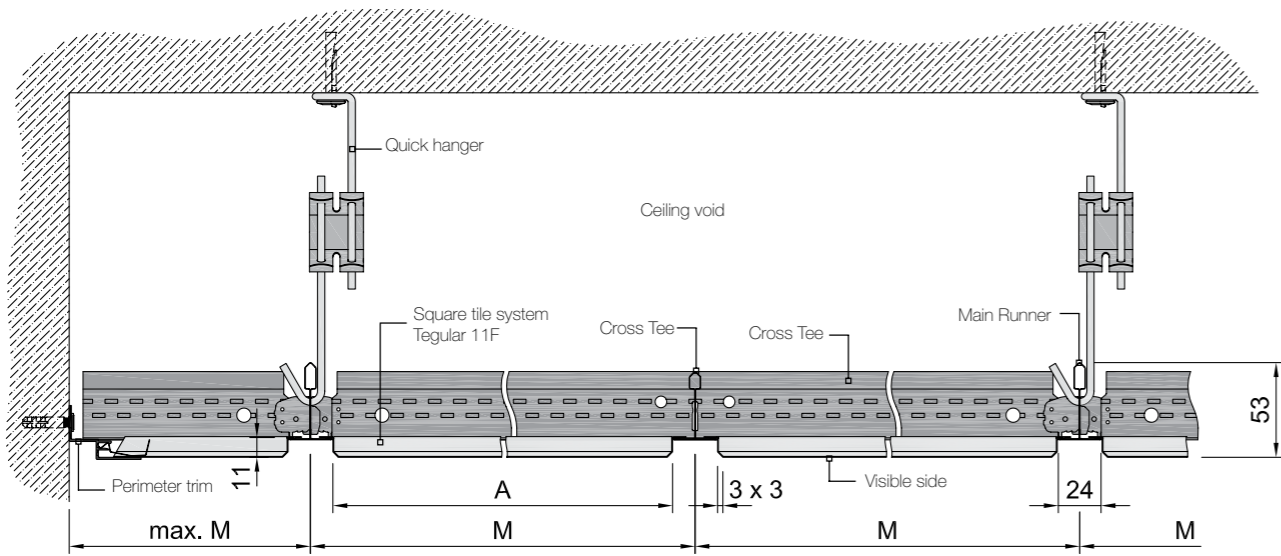
M = module size / A = tile length / B = tile width

TEGULAR 11F

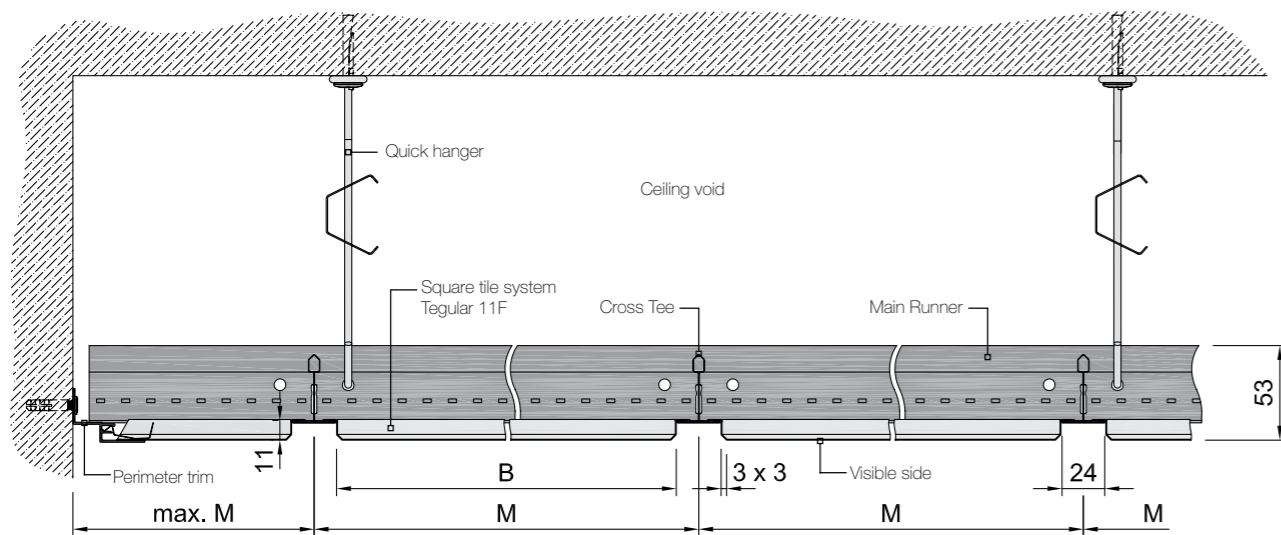
Detail A Tegular 11 F square tile



CROSS-SECTION TEGULAR 11F



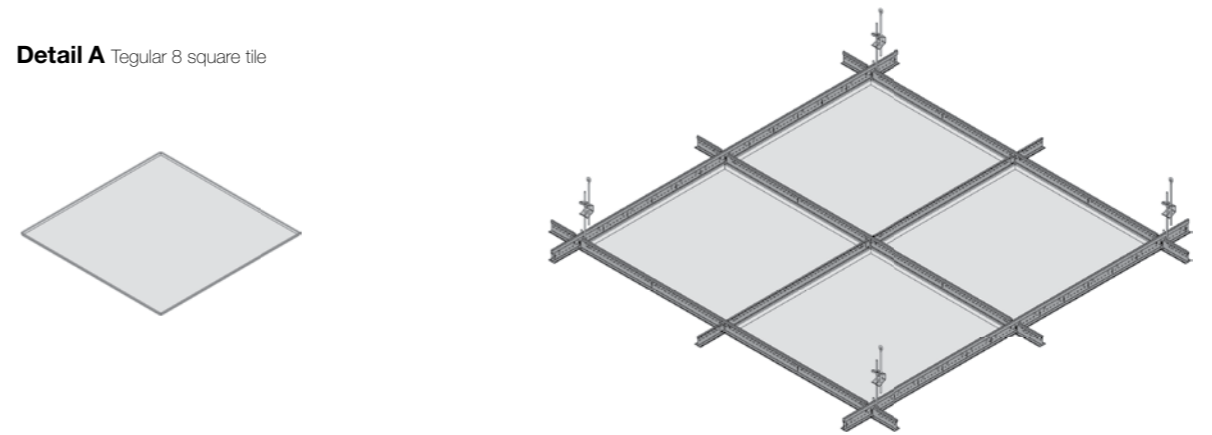
LONGITUDINAL-SECTION TEGULAR 11F



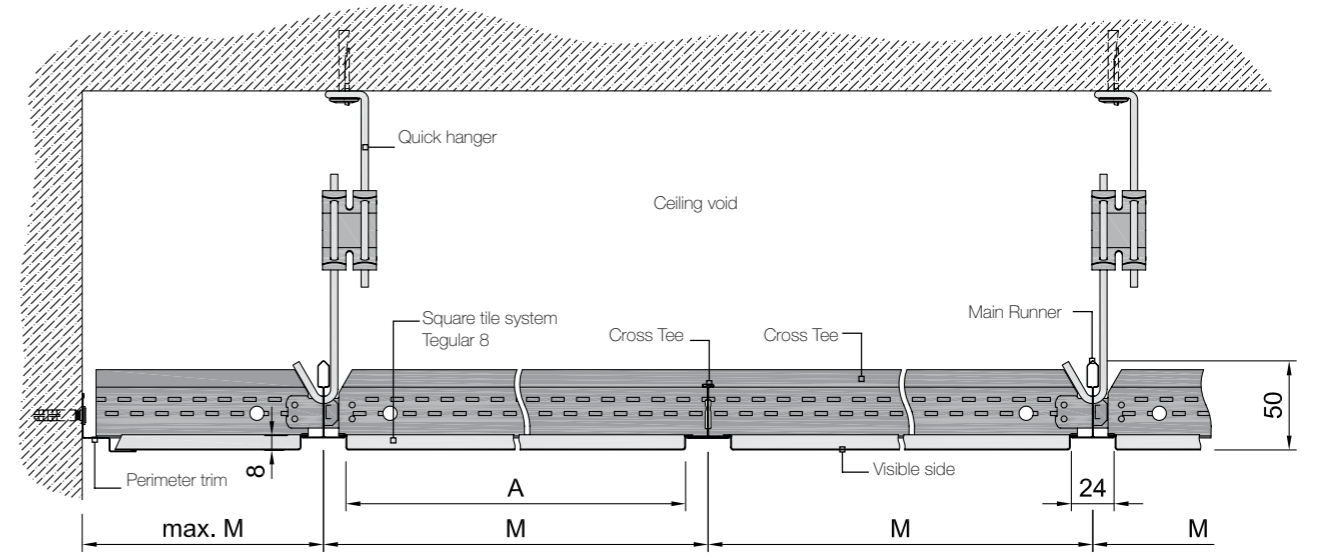
M = module size / A = tile length / B = tile width

TEGULAR 8

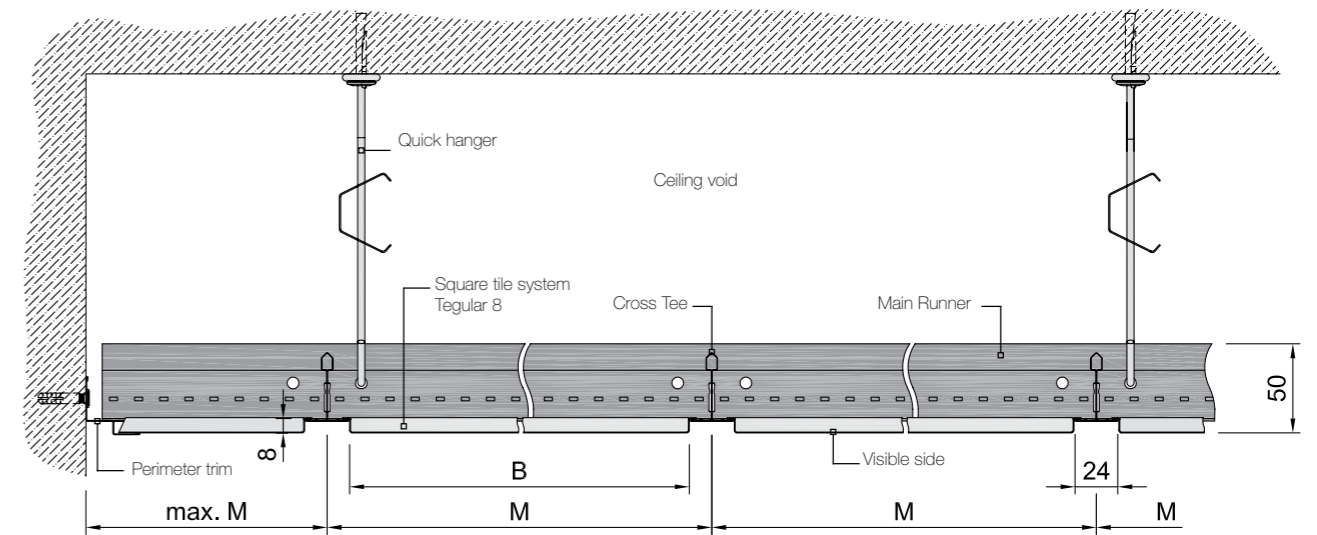
Detail A Tegular 8 square tile



CROSS-SECTION TEGULAR 8



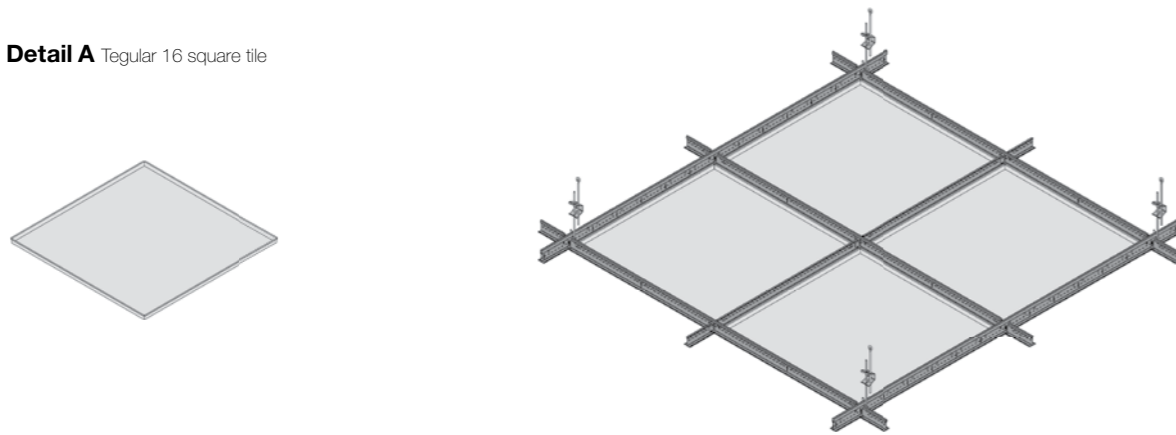
LONGITUDINAL-SECTION TEGULAR 8



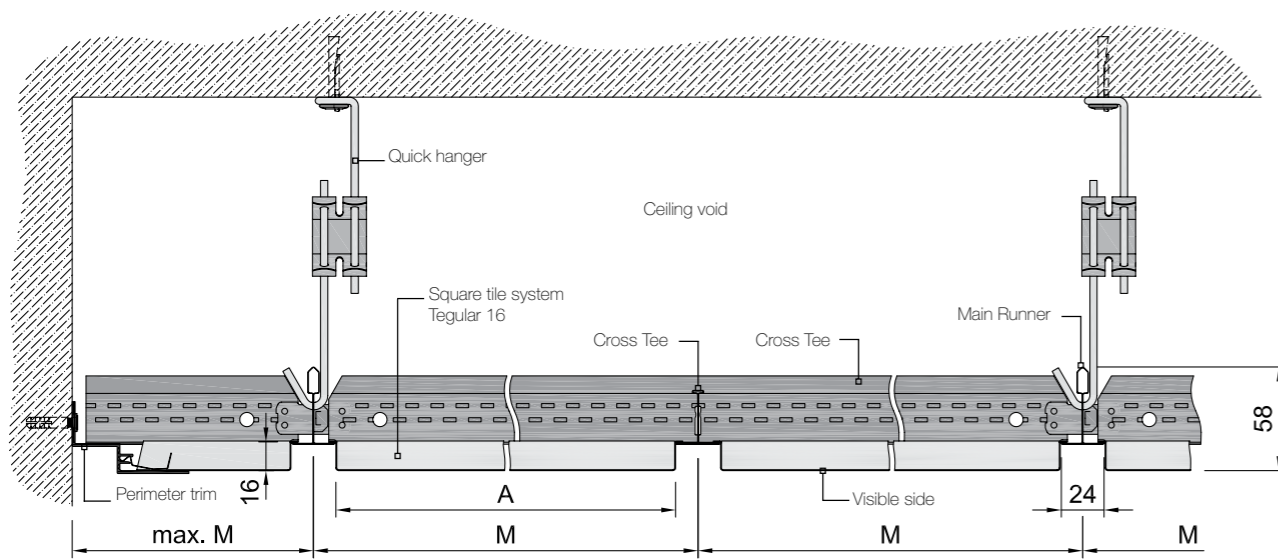
M = module size / A = tile length / B = tile width

**TEGULAR 16**

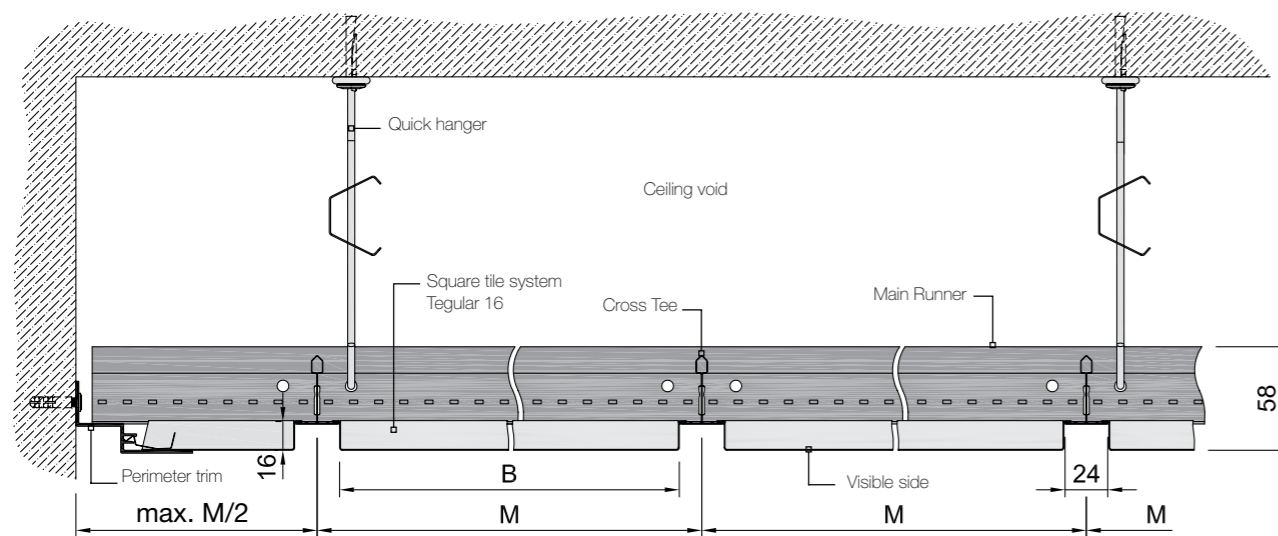
**Detail A** Tegular 16 square tile



**CROSS-SECTION TEGULAR 16**



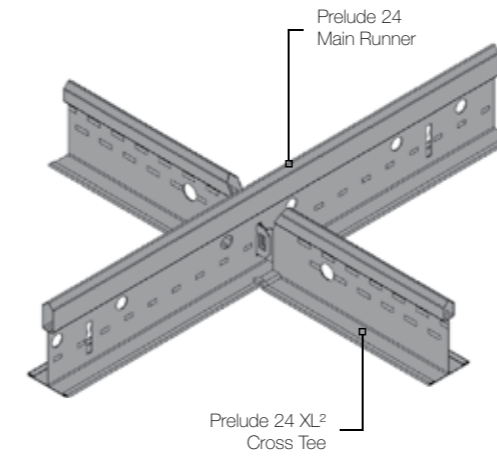
**LONGITUDINAL-SECTION TEGULAR 16**



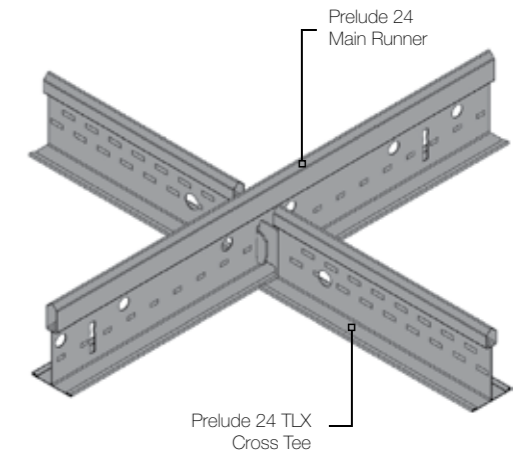
M = module size / A = tile length / B = tile width

**GRID SYSTEM**

**Detail A:** Prelude 24 XL<sup>2</sup> grid option  
Not recommended with Tegular 2 tiles

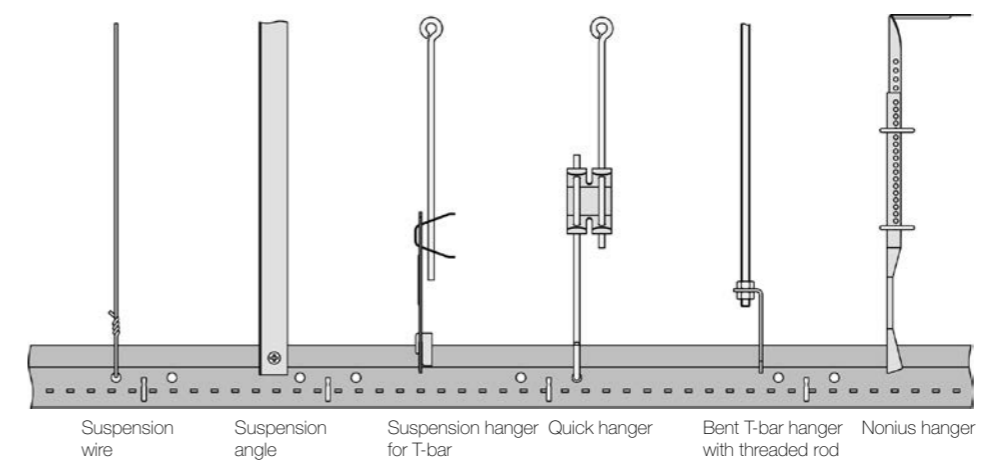


**Detail B:** Prelude 24 TLX grid option



**Compatible system:** **TLX:** T2, T8, T11F, T16  
**XL<sup>2</sup>:** T11F, T8, T16

**Detail C:** Suspension methods



**Metal**  
product



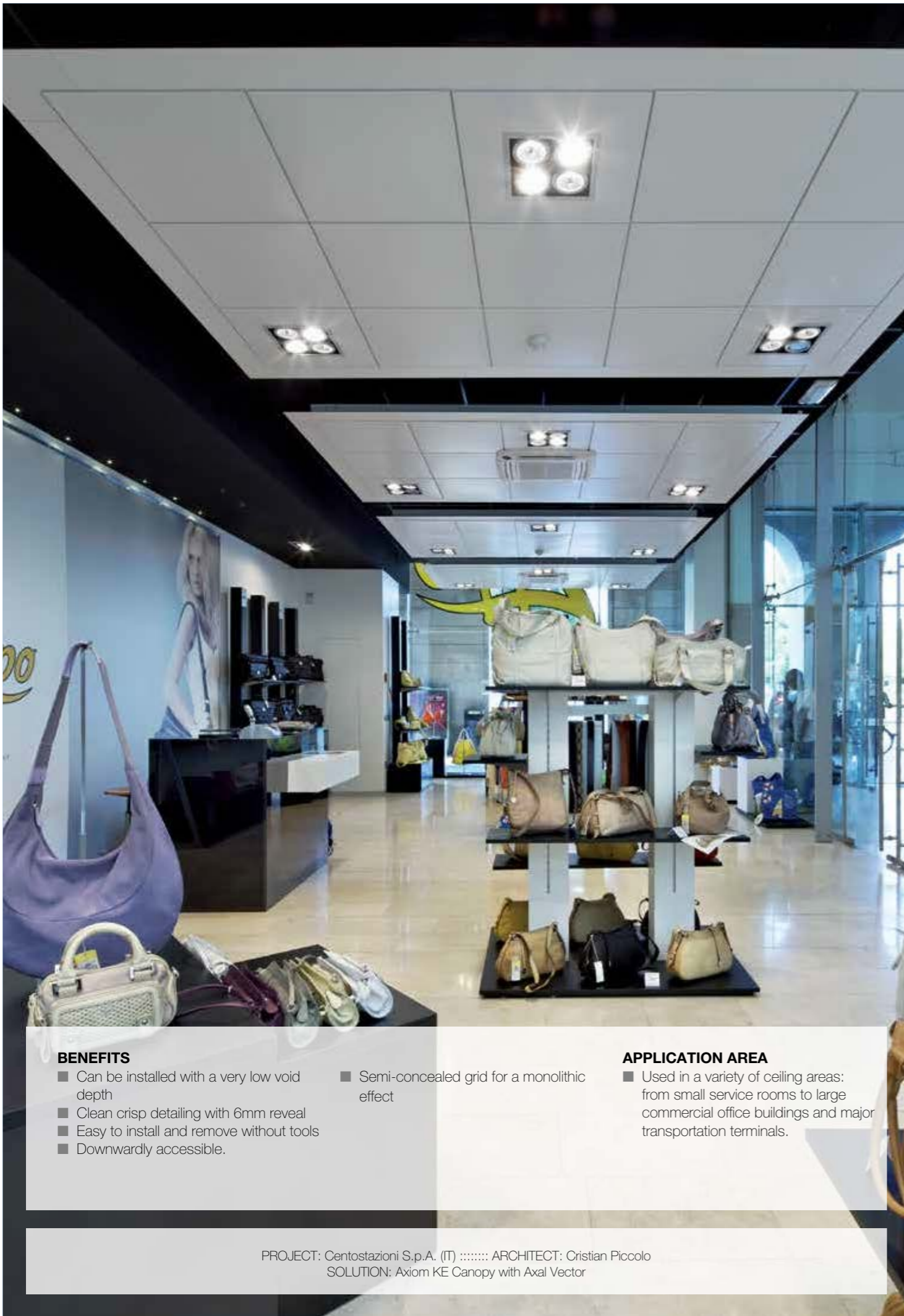
**LAY-IN AXAL VECTOR**  
Square & rectangular tiles

Inspiring Great Spaces™

**Armstrong®**

# LAY-IN AXAL VECTOR

## SQUARE & RECTANGULAR TILES



### SPECIFICATION

System	Armstrong ceiling system Axal Vector, Lay-In solution with semi-concealed grid 24 mm
Tile material	galvanised steel sheet 0.5 mm (0.6 mm for module 750 x 750 mm)
Coating	RAL 9010 pure white post-coated powder painted visible surface, other RAL or NCS colours on request
Execution*	square tile square edged
Gap solution	6 mm reveal detail, without gasket
Acoustic inlay	black non-woven acoustic fleece as standard. Other options available on request.
Standard modules	500 x 500 mm 600 x 600 mm 300 x 600 mm 675 x 675 mm 750 x 750 mm
Grid system	Prelude XL <sup>2</sup> 24

Perimeter solution	range of standards trims in steel and aluminium plus custom bulkheads available
Service integration	standard round or rectangular cut-outs plus customized options on request



\* For further information about the edge detail execution of metal tiles, please see the Metal Edge Detail Execution datasheet

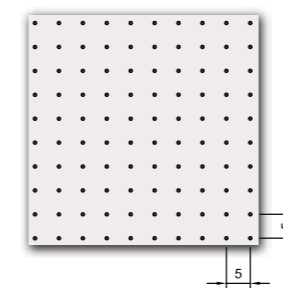
### BENEFITS

- Can be installed with a very low void depth
- Clean crisp detailing with 6mm reveal
- Easy to install and remove without tools
- Downwardly accessible.
- Semi-concealed grid for a monolithic effect

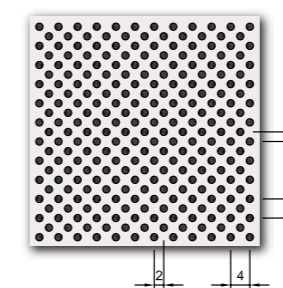
### APPLICATION AREA

- Used in a variety of ceiling areas: from small service rooms to large commercial office buildings and major transportation terminals.

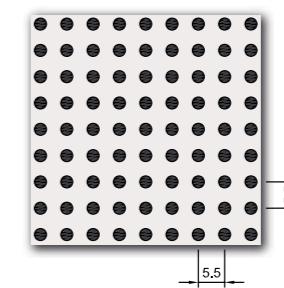
### STANDARD PERFORATION PATTERNS



**Extra Microperforation Rg 0701**  
Hole diameter: 0.7 mm  
Free area: 1.5 %



**Microperforation Rd 1522**  
Hole diameter: 1.5 mm  
Open area: 22% with 20 mm plain border



**Standard Perforation Rg 2516**  
Hole diameter: 2.5 mm  
Open area: 16% with 20 mm plain border

**ACOUSTIC PERFORMANCE**

Metal ceiling systems have been tested for their acoustic performance of sound absorption. All perforated products can be supplied with a variety of factory fitted acoustic infill options. Please contact us for more information.

**THERMAL CONDUCTIVITY**

(λ) W/mK  
50.0: Steel  
0.04: Acoustic fleece

**HUMIDITY EXPOSURE**

Up to 95% RH (for short term exposure).

**SERVICES INTEGRATION**

Metal panels can be supplied with factory produced cut outs and apertures for the integration of building services equipment.

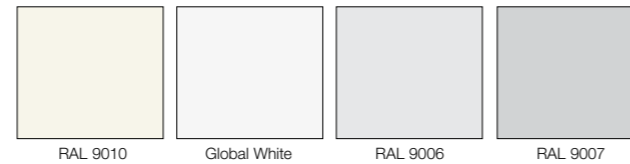
**CLEANING**

Dust should be removed from the painted surface by wiping with a clean soft cloth. More stubborn marks should be removed with a mild household detergent in warm water. Excessive use of water should be avoided. The use of abrasive cleaners of the painted surface is not recommended.

**COLOURS**

**Standard colour**

- RAL 9010 20% gloss
- Global White 12% gloss
- RAL 9006 30% gloss
- RAL 9007 30% gloss



**Special colours**

Other RAL and NCS colours available on request

**QUALITY STANDARD**

Armstrong is a certified **EN ISO 9001:2008** Quality Assumed Manufacturer. All Armstrong ceiling and grid systems are manufactured to the relevant tolerances and quality standards appropriate to material. Where differences exist between this and any expressed or implied architectural specifications or requirements then Armstrong's manufacturing standards will prevail unless stated otherwise.

**ENVIRONMENTAL**

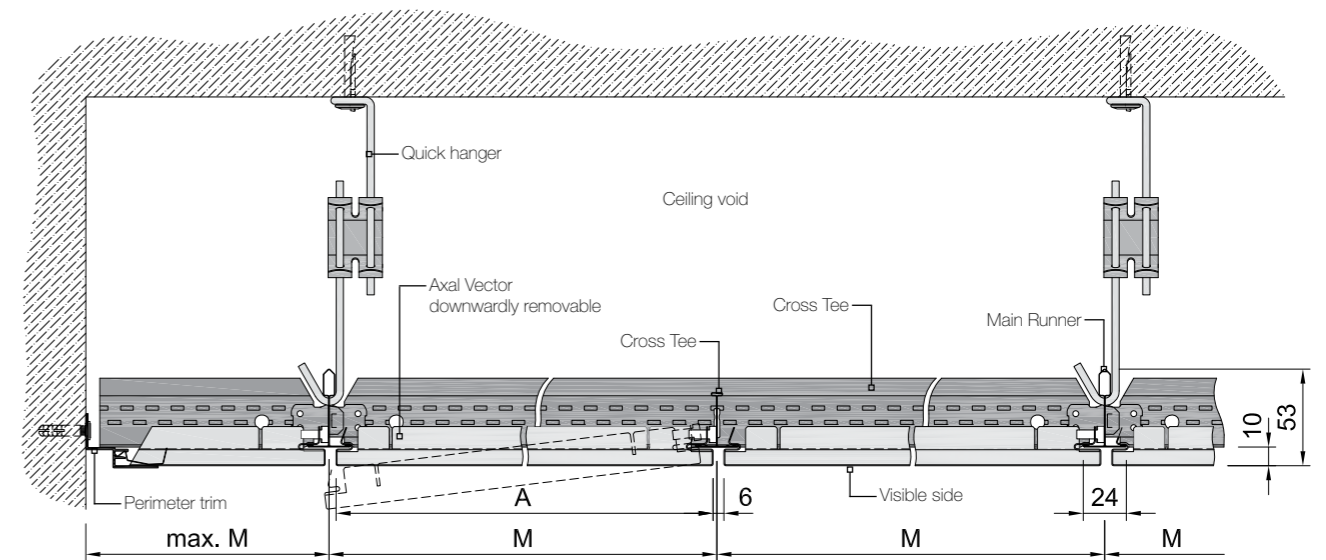
Our metal panels have an average of up to 30% recycling content. Our European manufacturing plants are certified to: **ISO 14001:2004 + Cor. 1:2009**  
Armstrong is a member of TAIM (Technical Association of Industrial Metal Ceilings).

Sustainability		Acoustics						Safe & Healthy				
Recycled content (%)	Light reflectance (%)	α <sub>w</sub> up to	Sound absorption class	NRC up to	Dncw / Dnfw (dB) up to	Rw (dB) up to	Fire reaction	Humidity Resistance (%) up to	Cleanability	Bioguard paint option	Scratch resistance	

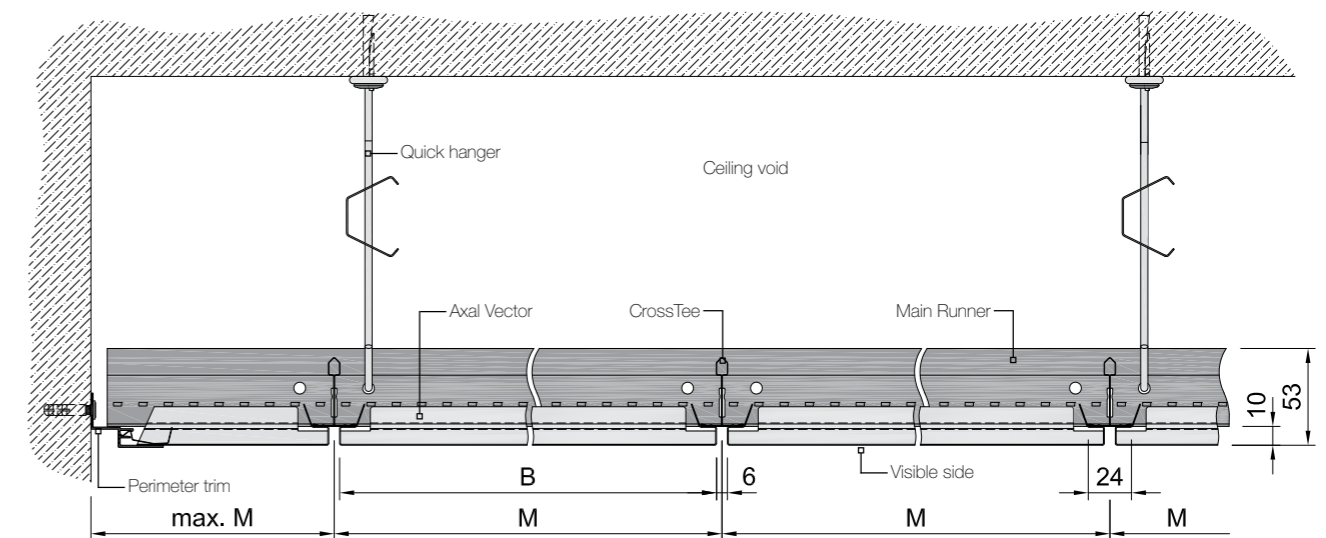
Ultra Microperforation Rg 0501 (1)	up to 30	83	0.45(L)	D	0.55	18	8	A1	95	scrubbable	✓	✓
Extra Microperforation Rg 0701 (2)	up to 30	80	0.55(L)	D	0.65	21	10	A2-s2, d0	95	wipeable moist cloth (3)	✓	✓
Microperforation Rd 1522 (2)	up to 30	65	0.70	C	0.70	16	6	A2-s2, d0	95	wipeable moist cloth (3)		✓
Standard Perforation Rg 2516 (2)	up to 30	70	0.75(L)	C	0.80	18	8	A2-s2, d0	95	wipeable moist cloth (3)		✓
Plain / Unperforated (1)	up to 30	85	0.10(L)	Not Classified	0.10	44	19	A1	95	scrubbable	✓	✓
Premium B15*	up to 30	depends on perforation	0.65	C	0.60	47	21	A2-s1, d0	95	wipeable moist cloth		✓
Premium OP19*	up to 30	depends on perforation	1.00	A	0.90	31	15	A2-s2, d0	95	wipeable moist cloth		✓

(1) RAL 9010 colour, without acoustic inlay. (2) RAL 9010 colour, with black acoustic fleece glued on rear. (3) Wipeable moist cloth for perforated tiles with fleece. Scrubbable for plain tiles or perforated tiles without fleece.  
\*Premium B15 and OP19 only available for Tegular 8 and Tegular 16, also some sizes of Tegular 2.

**CROSS-SECTION AXIAL VECTOR**



**LONGITUDINAL-SECTION AXIAL VECTOR**

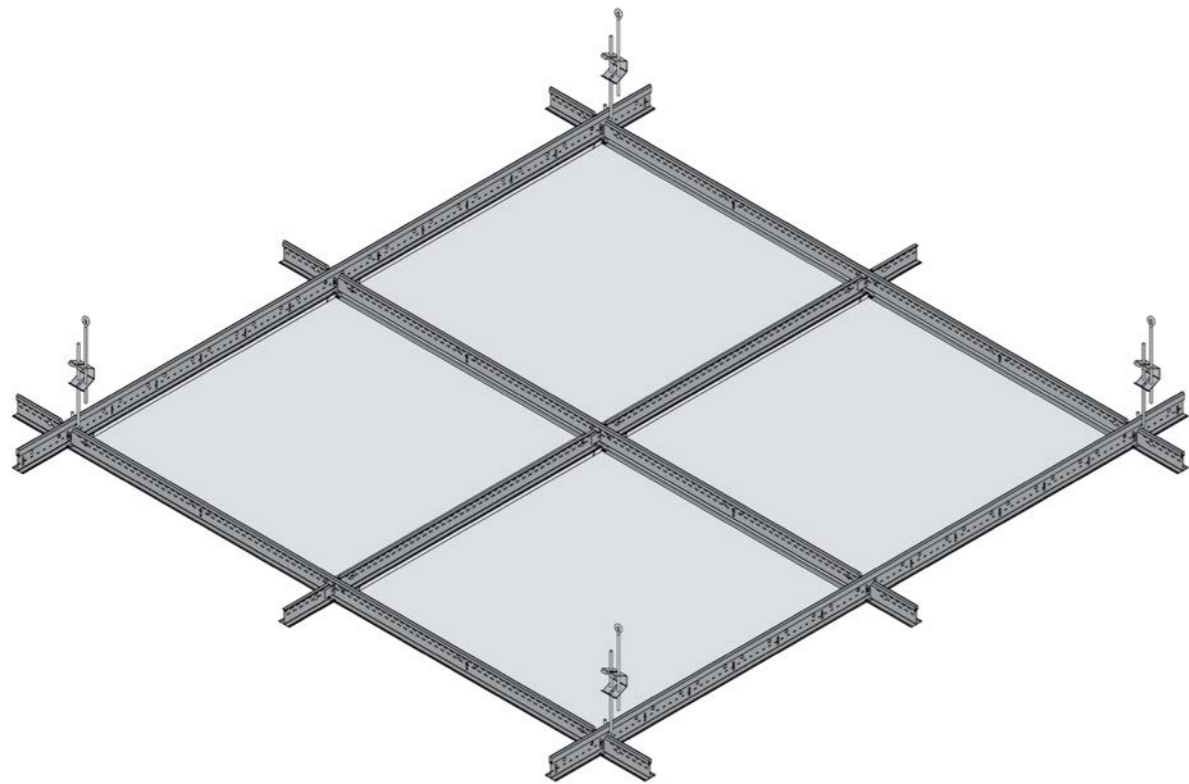
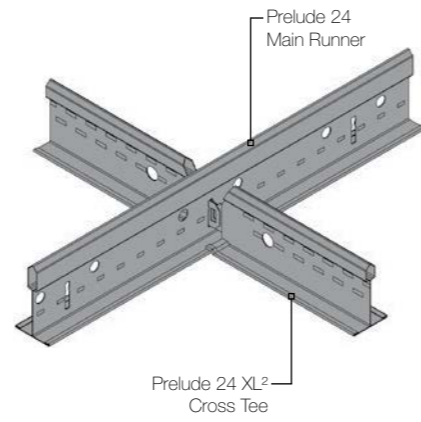


M = module size / A = tile length / B = tile width

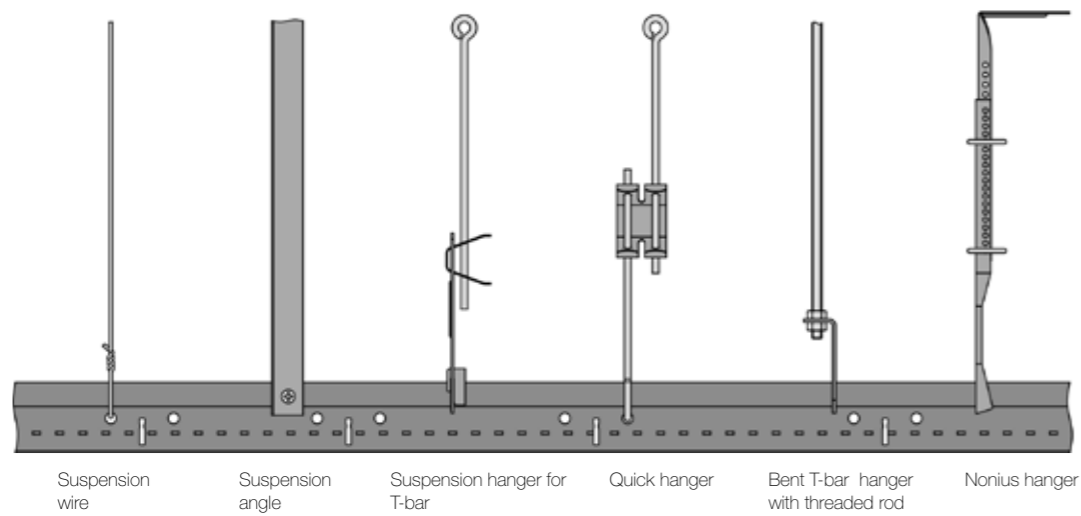
**Detail A** Axal Vector square tile



**Detail B** Prelude 24 XL<sup>2</sup> grid system



**Detail C** suspension methods



PROJECT: Aviva Stadium (IE) ::::: ARCHITECT: Scott Tallon Walker  
SOLUTION: Axal Vector plain

## WESTERN EUROPE

### Belgium & Luxembourg

Armstrong Building Products B.V.  
Bureaux Commerciaux Belgique  
Postbus 3803  
4800 DV Breda  
Nederland  
Tel.: (+32) 02 223 00 72  
Fax: (+31) 076 521 04 07  
e-mail: benelux-info@armstrong.com  
www.armstrong-plafonds.be

### Germany & Switzerland

Armstrong Building Products  
Kundenservice  
Office Building Quadrium  
Claudius Prinsenlaan 126  
4818 CP Breda  
Niederlande  
Tel.: (+49) 0251 7603 210  
Fax: (+49) 0251 7603 593  
e-mail: deutsche-info@armstrong.com  
www.armstrong-decken.de  
www.armstrong-decken.at  
www.armstrong.ch

Armstrong Metalldecken AG  
Breitfeldstrasse 8  
9015 St. Gallen  
Switzerland  
Tel.: +41 (0) 71 313 63 63  
Fax: +41 (0) 71 313 64 00

Zentralschweiz  
Armstrong Metalldecken AG  
Büro / Lager Zentralschweiz  
Grossweid 9  
CH-6026 Rain  
Tel.: +41 (0) 41 921 63 63  
Fax: +41 (0) 41 921 63 80

Suisse Romande  
Armstrong Plafonds Métalliques SA  
Bureau Suisse Romande  
3, rue Gustave-Monynier  
CH-1202 Genève  
Tel.: +41 (0) 22 731 60 70  
Fax: +41 (0) 22 731 60 74

### Austria

Armstrong Metalldecken GmbH  
Bundesstrasse 70  
A-6830 Rankweil  
Tel.: +43 (0) 55 22 34 44-0  
Fax: +43 (0) 55 22 34 44-8

Armstrong Metalldecken GmbH  
Messendorferstrasse 6  
A-8041 Graz  
Tel.: +43 (0) 31 64 71 584  
Fax: +43 (0) 31 64 71 584-10

### Spain & Portugal

Armstrong Building Products  
Oficina de ventas España  
C/ Caléndula, 95 – Miniparc II  
Edificio "M" – Planta 1ª  
Urb. El Soto de la Moraleja  
28109 – Alcobendas Madrid  
Tel.: (+34) 91 642 04 99  
e-mail: info-espana@armstrong.com  
www.armstrong.es/techos

### France & French Speaking Africa

Armstrong Building Products SAS  
Bureaux Commerciaux France  
Immeuble Paryseine  
3 Allée de la Seine  
94854 Ivry-sur-Seine  
Tel.: 0800 41 36 43  
Fax: (+33) 1 45 21 04 11  
e-mail: info-france@armstrong.com  
www.armstrong.fr/plafonds

Siège social  
Armstrong Building Products SAS  
67 rue de Salins – CS 20089  
25302 Pontarlier Cedex  
France

### Italy & Greece

Armstrong Building Products  
Ufficio Commerciale Italia  
Immeuble Paryseine  
3 Allée de la Seine  
94854 Ivry-sur-Seine  
Francia  
Tel.: (+39) 02 66 22 76 50  
Fax: (+39) 02 66 20 14 27  
e-mail: info-italia@armstrong.com  
www.armstrong-soffitti.it  
www.armstrong.eu

### Netherlands

Armstrong Building Products B.V.  
Verkoopkantoor Nederland  
Postbus 3803  
4800 DV Breda  
Nederland  
Tel.: (+31) 076 52 30 200  
Fax: (+31) 076 521 04 07  
e-mail: benelux-info@armstrong.com  
www.armstrong.nl/plafonds

### United Kingdom

Armstrong World Industries Ltd  
Building Products Division  
Armstrong House  
38 Market Square  
Uxbridge UB8 1NG  
Tel.: 0800 371849  
Fax: (+44) 1895 274287  
e-mail: sales-support@armstrong.com  
www.armstrong-ceilings.co.uk

### Republic of Ireland

Armstrong World Industries Ltd.  
108 Greenlea Road  
Terenure  
Co Dublin 6W  
Ireland  
Tel.: 1800 409002  
Tel.: (+353) 1 499 1701  
Fax: (+353) 1 490 7061  
e-mail: sales-support@armstrong.com  
www.armstrong-ceilings.ie

## CENTRAL EUROPE NORTH

### (DK/EE/FIN/IS/LT/LV/N/PL/S)

Armstrong Building Products BV  
Sp. z o.o. Oddział w Polsce  
ul. Domaniewska 37  
02-672 Warszawa  
Poland  
Tel.: (+48) 22 337 86 10/ 86 11  
Fax: (+48) 22 337 86 12  
e-mail: service-ce@armstrong.com  
Latvia: www.armstrong.lv  
Lithuania: www.armstrong.lt  
Norway: www.armstrong.no  
Poland: www.armstrong.pl  
Sweden: www.armstrong.se

## CENTRAL EUROPE SOUTH

### (AL/BA/BG/CZ/HR/HU/KO/MD/ME/MK/RO/RS/SK/SI)

Armstrong Building Products  
Lighthouse building,  
Jankovcova 1569/2c,  
170 00 Praha 7,  
Czech Republic  
Tel.: +420 234 700 543  
e-mail: service-ce@armstrong.com  
Czech Republic: www.armstrong.cz  
Hungary: www.armstrong.co.hu  
Romania: www.armstrong.ro  
Serbia: www.armstrong.rs  
Slovakia: www.armstrong.sk  
Slovenia: www.armstrong.si

## EASTERN EUROPE

### CIS

Armstrong Moscow GmbH  
Park Place, office E502  
# 113/1, Leninsky Prospekt  
Moscow 117198  
Russia  
Tel.: (+7) 495 956 5100  
Fax: (+7) 495 956 5101  
e-mail: info-cis@armstrong.com  
Russian Federation: www.armstrong.ru

## MIDDLE EAST / AFRICA / TURKEY

### Armstrong World Industries Ltd Africa Middle East Turkey Division

Armstrong House  
38 Market Square  
Uxbridge UB8 1NG  
Tel.: (+44) 01895 202097  
Fax: (+44) 01895 272928  
e-mail: sales-support@armstrong.com  
www.armstrong.eu  
Israel: www.armstrong.co.il  
South Africa: www.armstrong-ceilings.co.za

### Dubai | United Arab Emirates

Armstrong World Industries JLT  
Office No. 2003, 20th Floor  
Gold Crest Executive Tower  
Jumeirah Lakes Towers  
P.O. Box 73831  
Dubai, U.A.E.  
info-me@armstrong.com  
www.armstrong.ae

### Turkey

Armstrong Europa GmbH  
Mimar Sinan Mah. Mimar Sinan  
35/2 Cekmekoy  
Istanbul  
Türkiye  
Gsm: +90 542 772 49 22  
Gsm: +90 544 293 5931  
www.armstrong.com.tr  
etulpar@armstrong.com